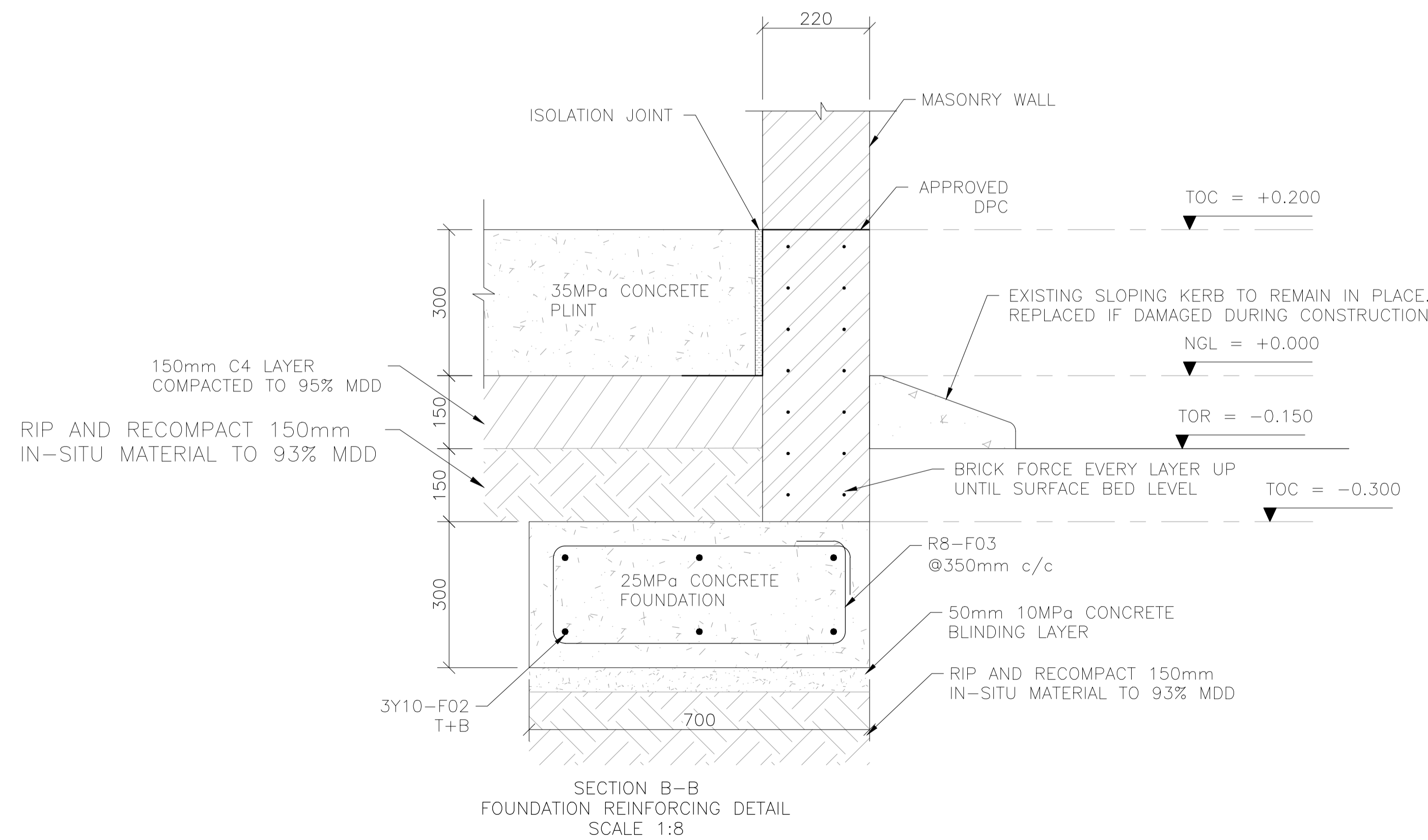


MEMBER	No OF	BARS PER MEMB	DIA.	LENGTH	TOTAL NUMBER	MARK	S	C	BENDING					
									A	B	C	D	E/r	
STRIP FOUNDATION	1	18	Y10	5650	18	F01	38		150	5400	(150)			
		6	Y10	4850	6	F02	38		150	4600	(150)			
		62	R8	1750	62	F03	60		200	600				
	8	10	12	16	20	25	32	40	TOT	Date	2023-10-03			
R	43								43	Det. by	R.C.BEUKES			
Y		81							81	Ref Dwg	1100-02/03			
TOT	43	81							123	Job No	3219			
<b>CIVILCONSULT</b> Consulting Engineers PO BOX 12645 HATFIELD 0028 TEL: 012 343 6297/0845 FAX: 012 343 8929 EMAIL: mail@civilconsult.co.za										Revision	01			
										Schedule No	1100-A			



NOTES / NOTAS

REFERENCE / VERWYSINGS  
 REFER TO DRAWING NO 3219-1100-00-01 FOR GENERAL NOTES  
 ALL LEVELS AND DIMENSIONS SHOULD BE CHECKED AND VERIFIED ON SITE PRIOR TO CONSTRUCTION

CLIENT / KLIËNT



PO BOX 395  
 PRETORIA  
 0001  
 Tel 012 841 2911  
 enquiries@csir.co.za



PO BOX 12645  
 HATFIELD  
 0028  
 Tel 012 343 6297 / 0845  
 Fax 012 343 8929 / 086 583 6249  
 mail@civilconsult.co.za

ENGINEER / INGENIEUR	: L.WENTZEL	TRACED / NAGETREK	:
DESIGN / ONTWERP	: W.FOURIE	CHECKED / NAGESIEN	:
DRAWN / GETEKEN	: R.C.BEUKES		

PROJECT / PROJIEK

CSIR BUILDING 9  
 NEW BACKUP GENERATOR

DRAWING TITLE / TEKENINGITITEL

STRIP FOUNDATION  
 REINFORCING DETAIL AND  
 BENDING SCHEDULE  
 SHEET 1 OF 1

DATE : OCTOBER 2023  
 SCALE : AS SHOWN

REVISION / WYSIGING			
No.	DATE / DATUM	INITIAL / VOORL.	DESCRIPTION / BESKRYWING
00	19/07/23	R.B	FOR CONSTRUCTION
00	03/10/23	R.B	BUND WALL AND DIESEL TANK PLINTH SIZE CHANGES

CC DWG. NO./CC TEK. NR.	FILE NO./LEER NR.
3219-1100-03-01	
CLIENT DWG. NO./KLIËNT TEK. NR.	FILE NO./LEER NR.
--	--

3219-1100-03-01