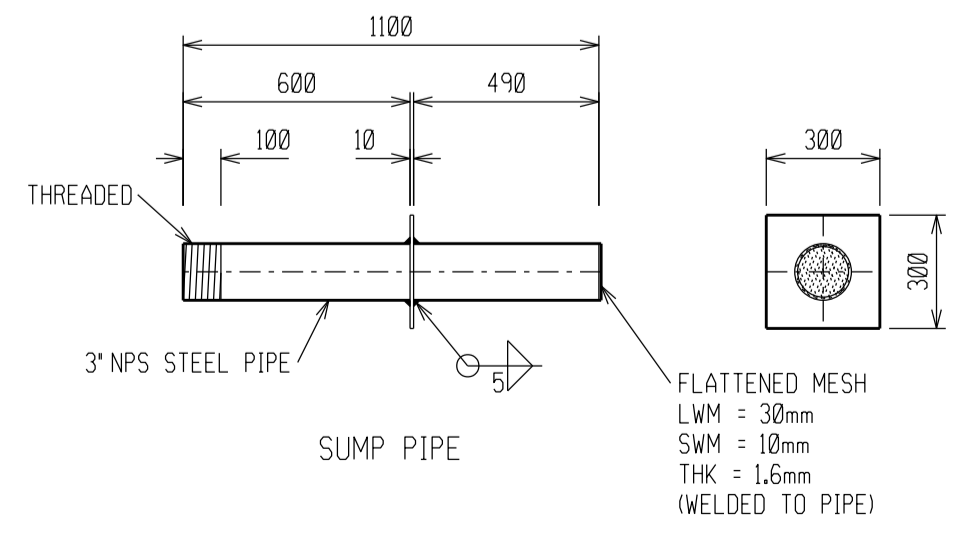
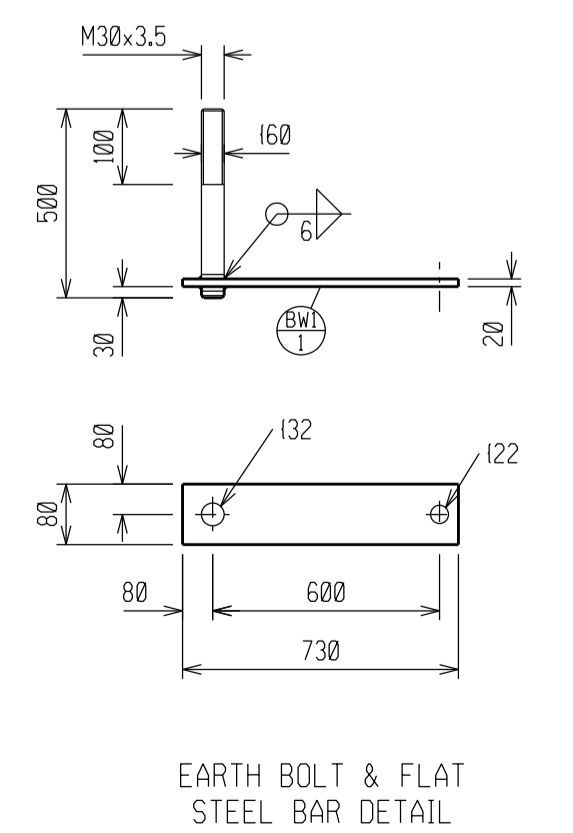
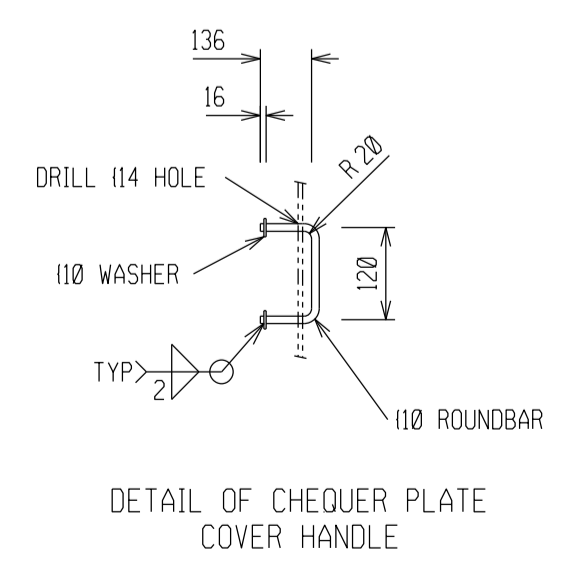
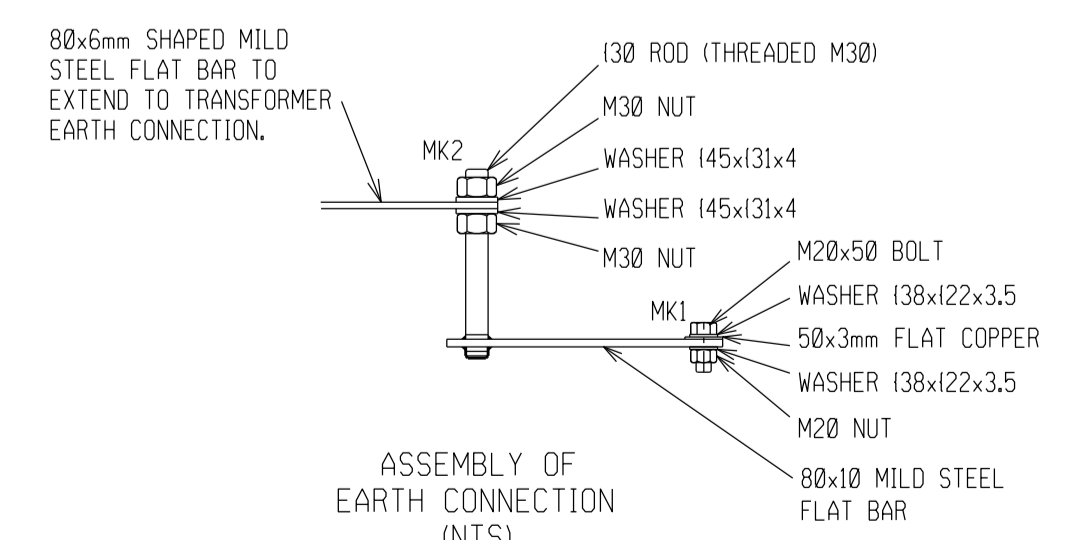
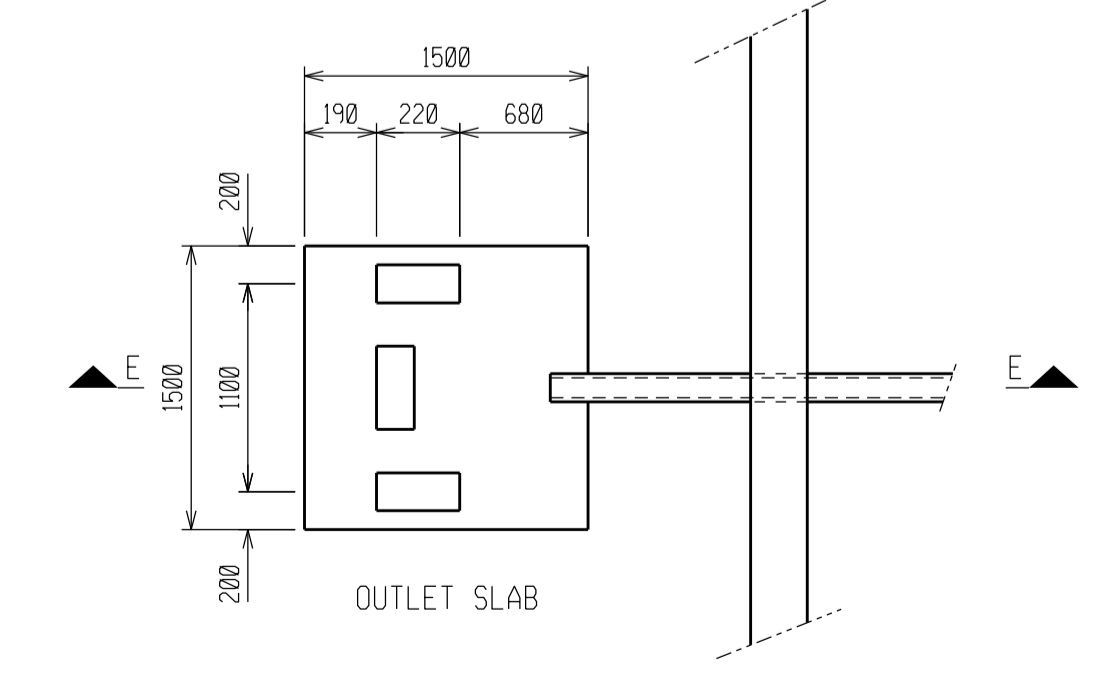
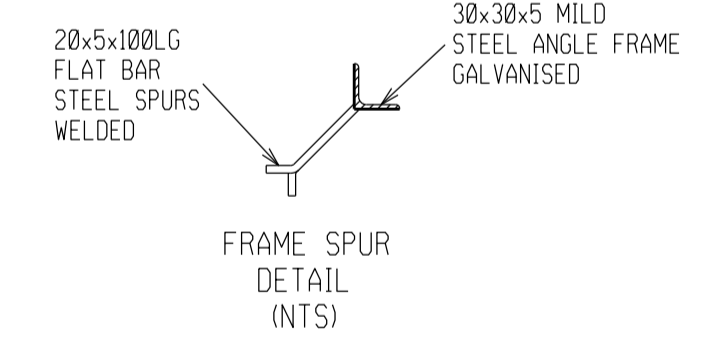
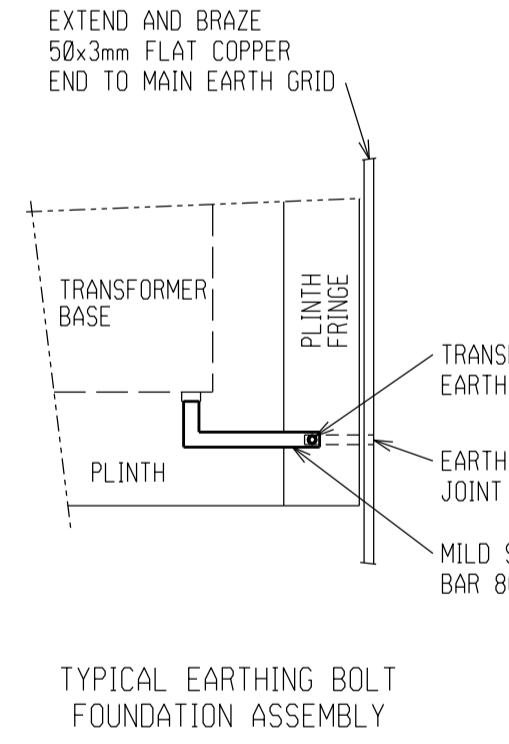
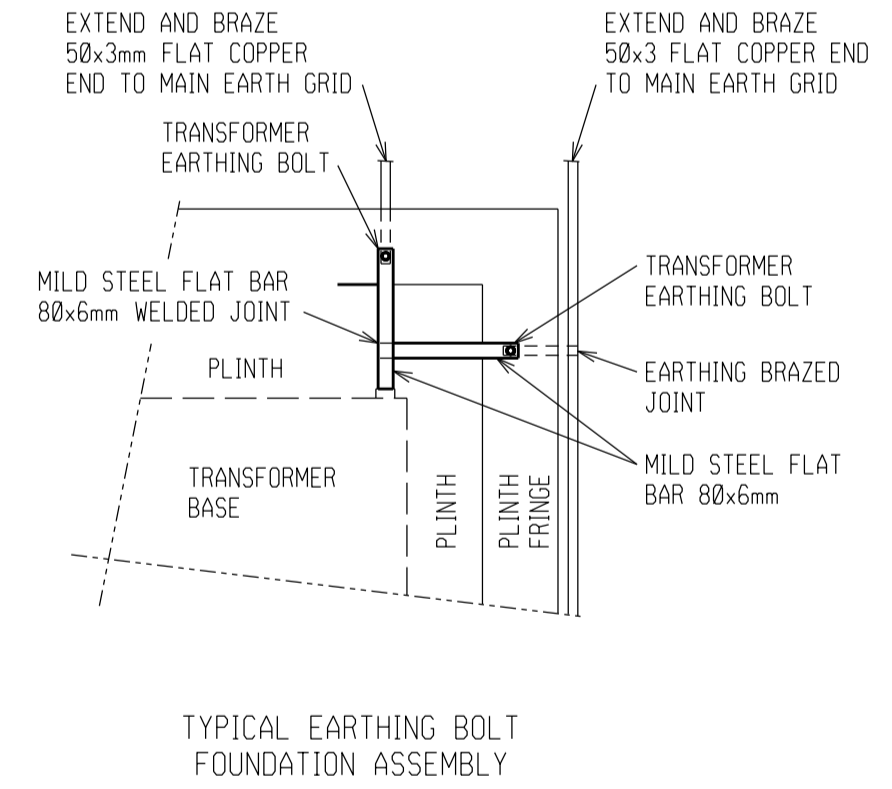
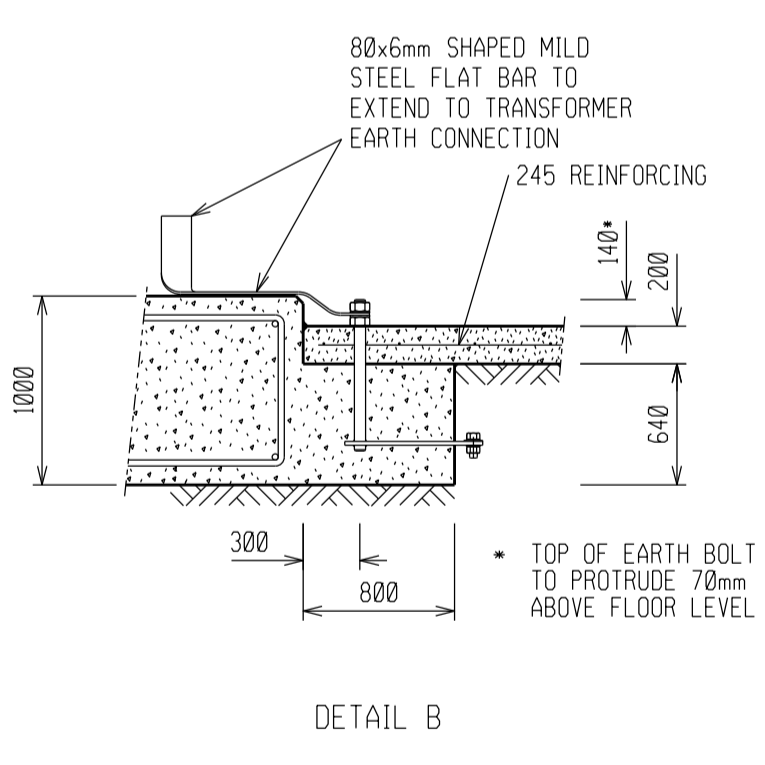
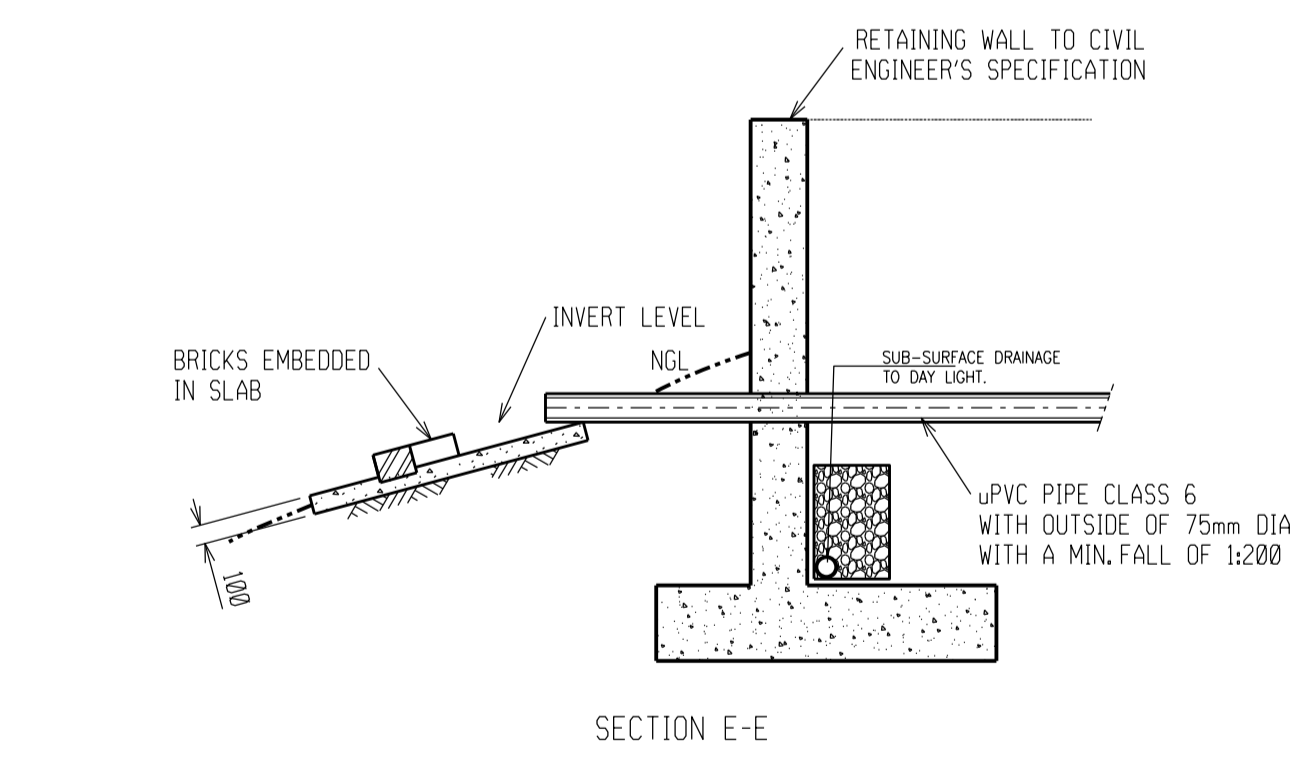
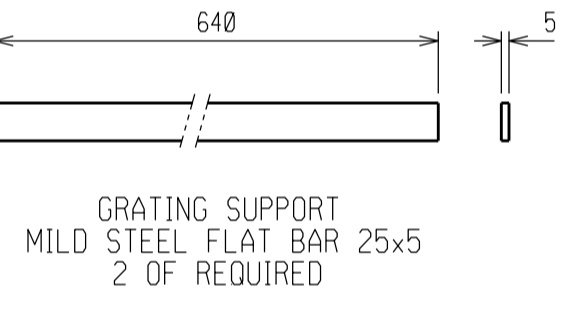
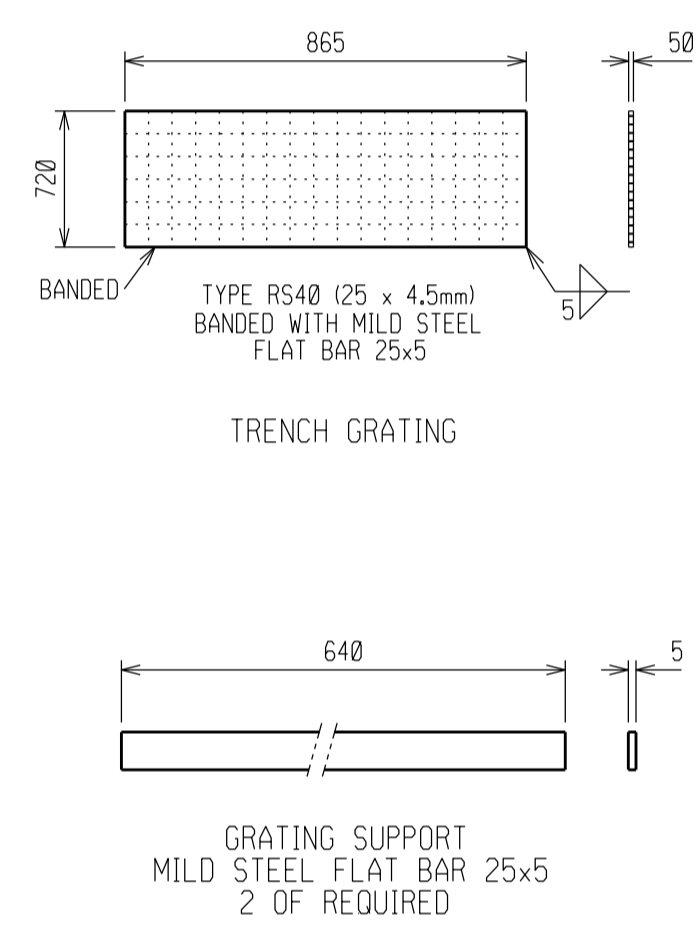
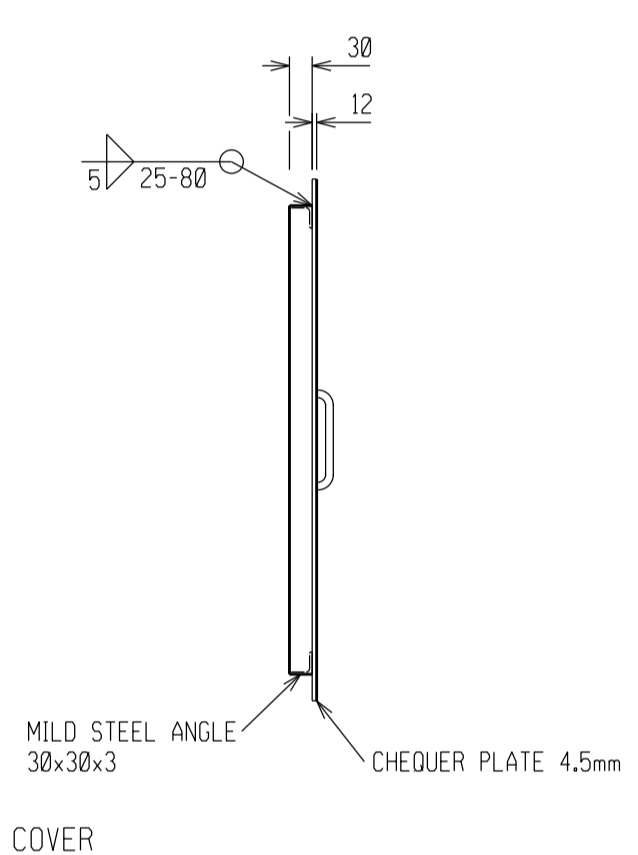
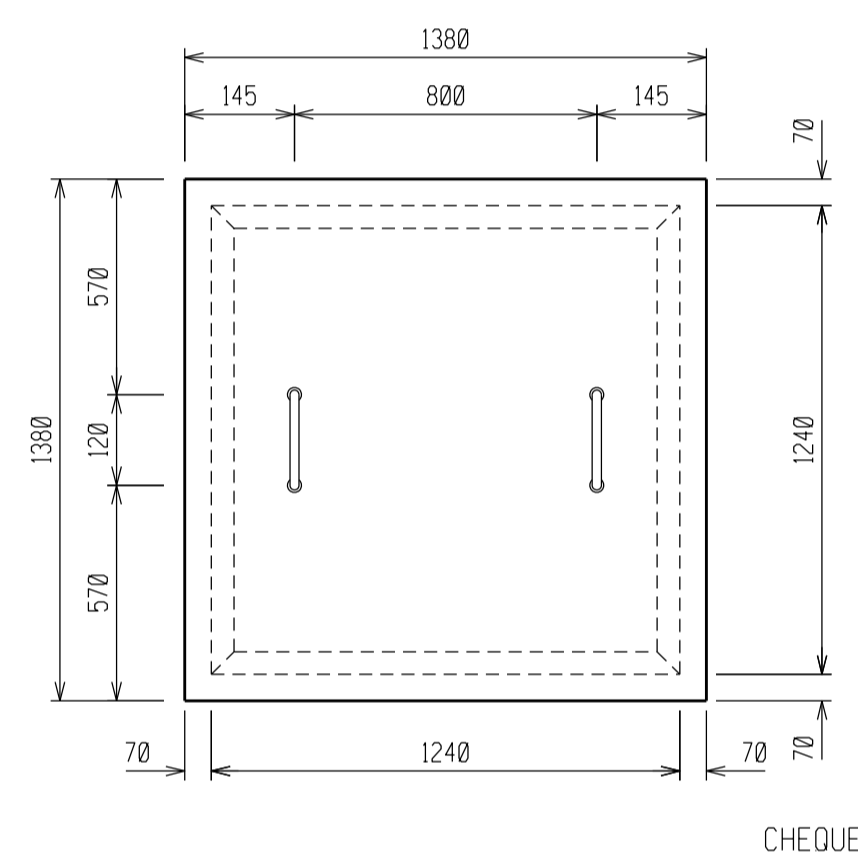
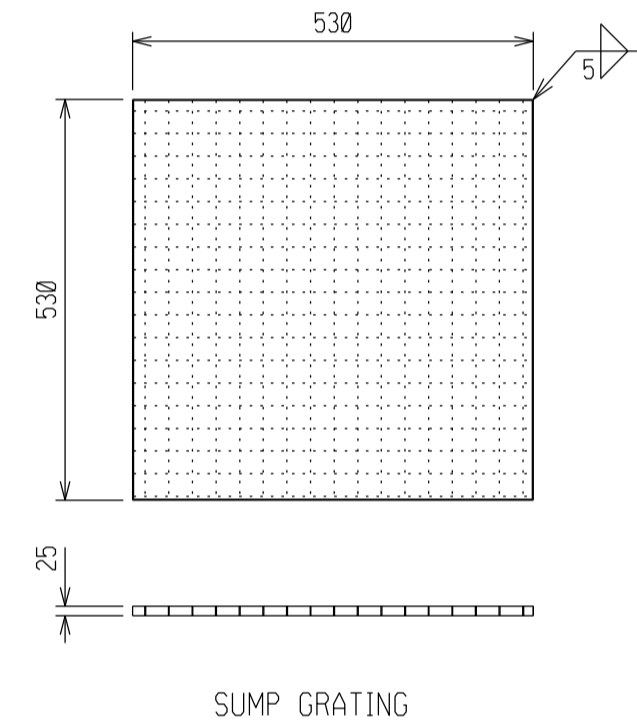
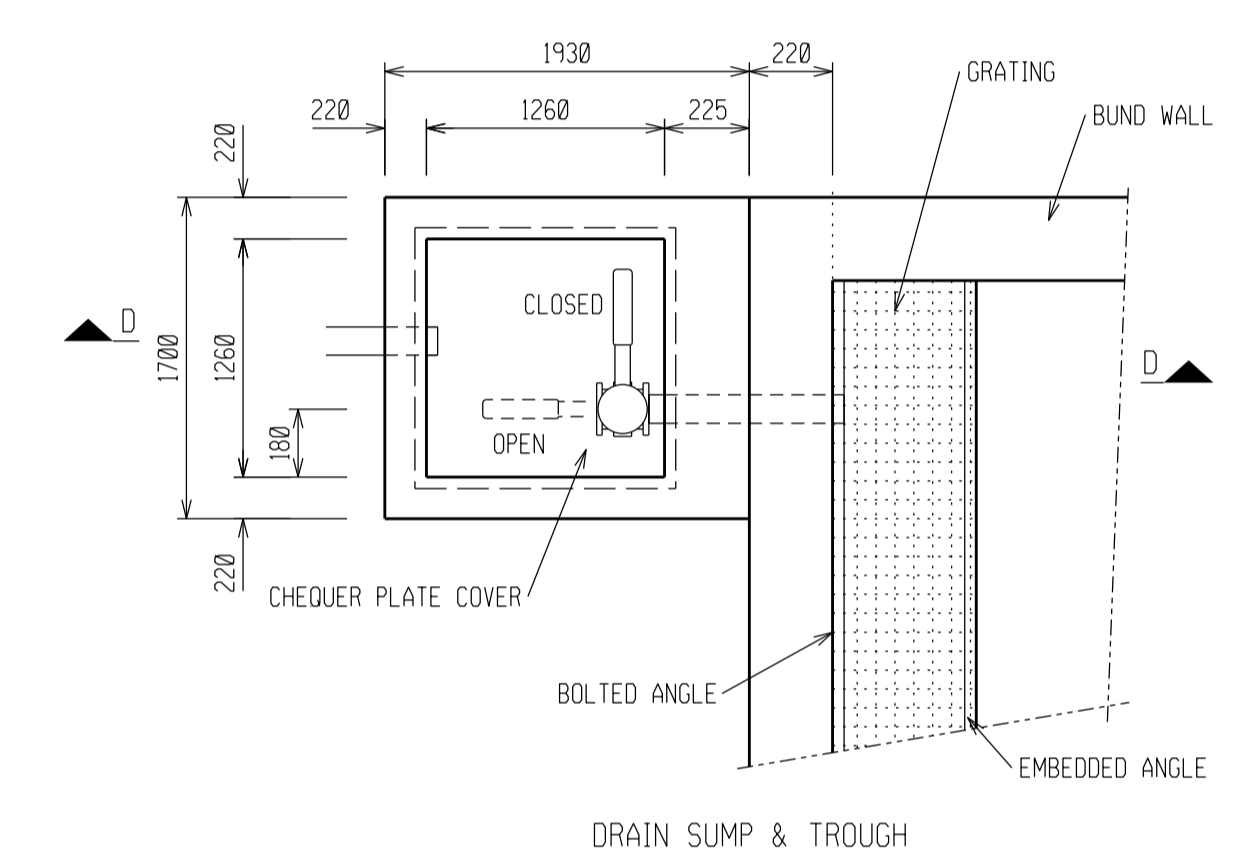
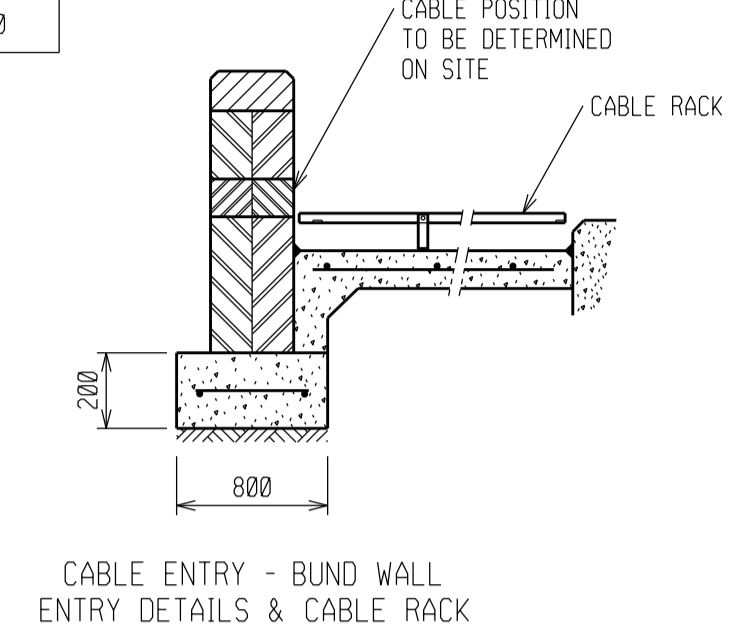
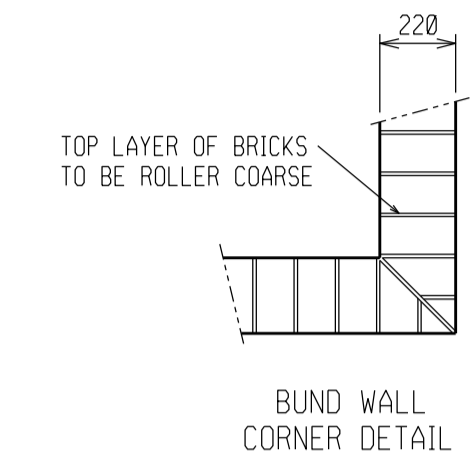
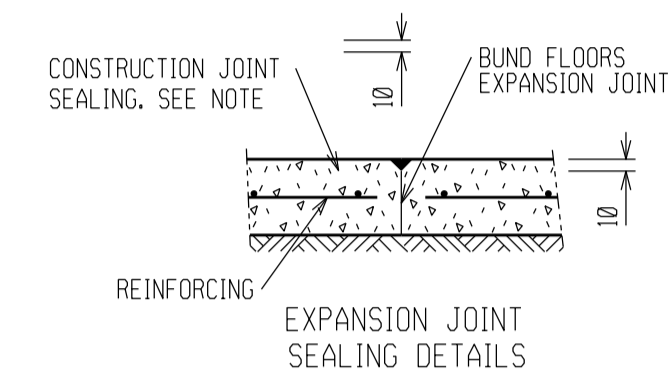
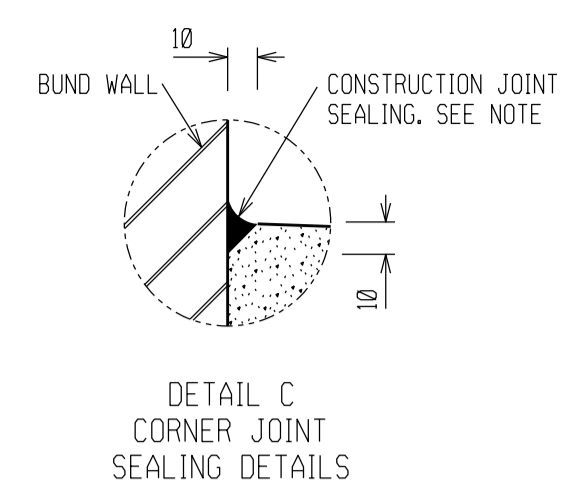
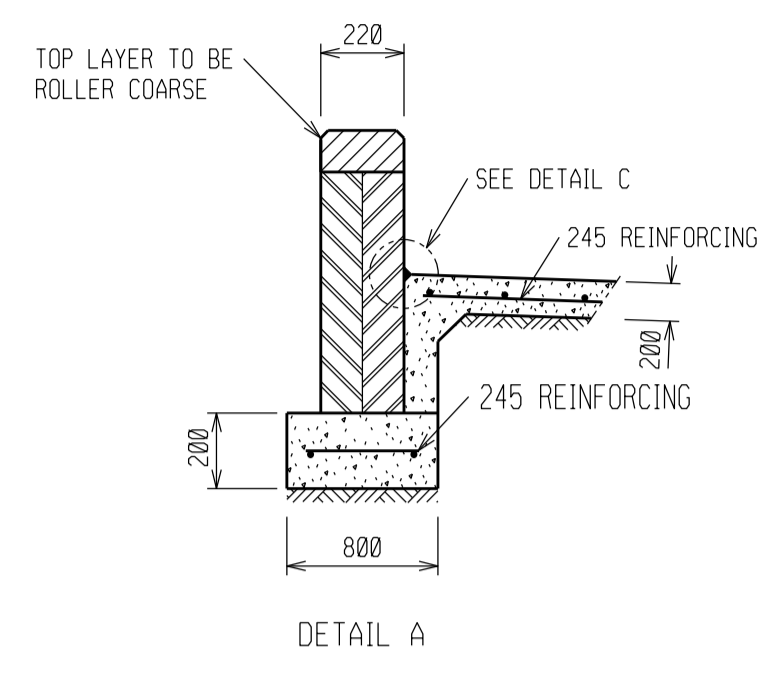
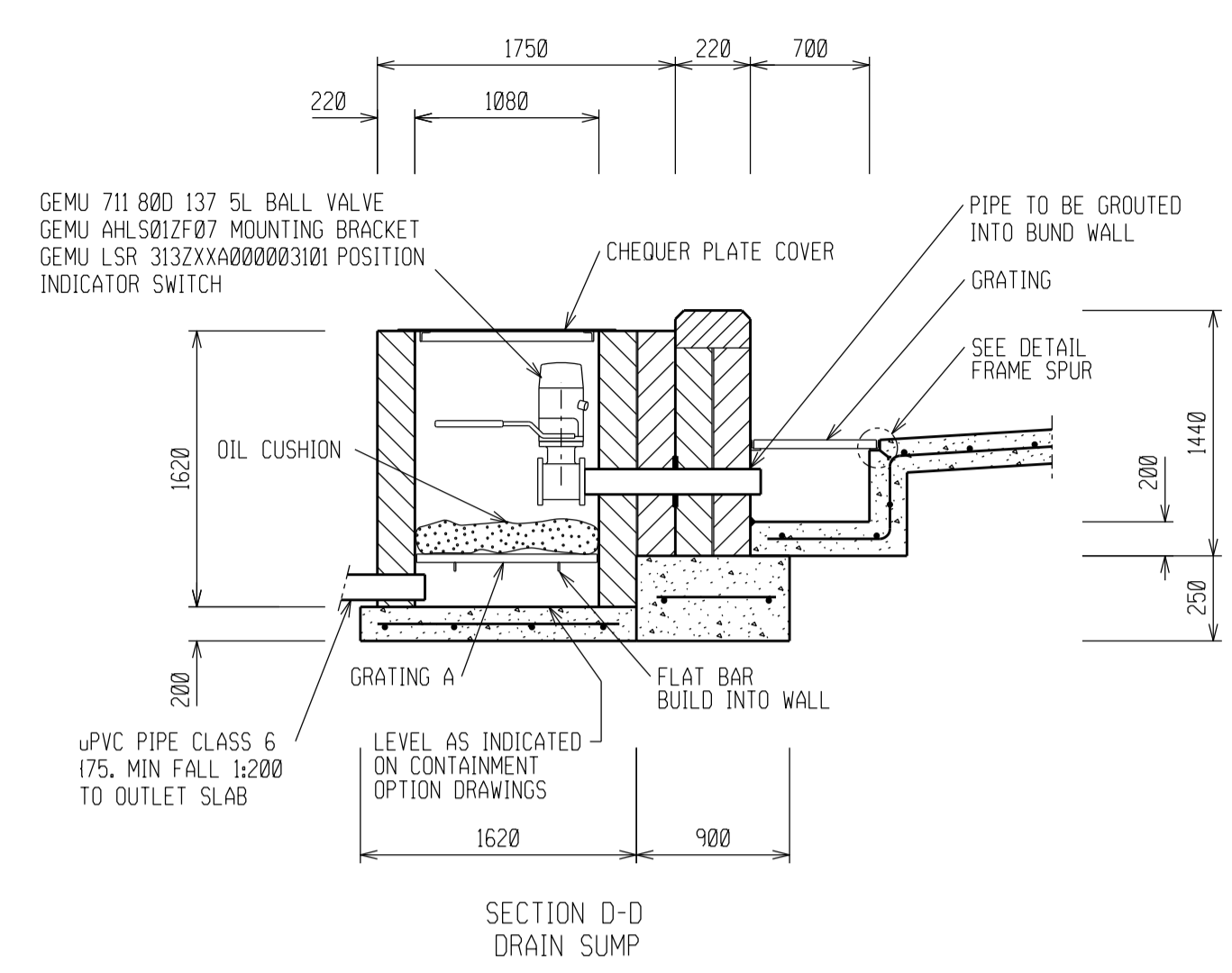


BOLT SCHEDULE									
MARK	BOLT SIZE	MILD STEEL GRADE	PITCH	LENGTH	NO OFF BOLTS	NO OFF NUTS	NO OFF WASHERS	TORQUE Nm	TOTAL MASS kg
1	M20	4.8	2.5	50	6	6	6	225	1.56
2	M30	4.8	3.5	250	6 RODS	12	12	350	8.33
MASS OF BOLTS, WASHERS AND NUTS									9.89

STEEL SCHEDULE AND MASS					
ITEM	QTY	DESCRIPTION	CUTTING LENGTH (mm)	TOTAL LENGTH (m)	TOTAL MASS (kg)
BW1	6	MILD STEEL FLAT BAR 80 x 10	365	2.19	13.70
TOTAL MASS					13.70

THIS DRAWING IS THE PROPERTY OF PLP CONSULTING ENGINEERS. It is subject to return upon demand and may not be copied, distributed or passed to any third party without written consent from PLP Consulting. It may not be used for any purpose other than directly associated with the project or subsequent alterations thereto.



FOR APPROVAL

REV	REVISION DESCRIPTION	BY	CHKD	AUTH	DATE
A	ISSUED FOR APPROVAL				15/02/2022

PROJECT MANAGER	LEAD ENGINEER	MECH ENGINEER	MINING ENGINEER

CLIENT
CSIR

DESIGN ENGINEER: PLP CONSULTING ENGINEERS (PTY) LTD
3 LILIEBLOOM STREET PO BOX 1005 NELSPRUIT 1200

PROJECT: CSIR BUILDING 9
TITLE: 1000kVA SILENT GENERATOR PLINTH, DRAINAGE & CONTAINMENT DETAIL

Scale: 1:20	Project Number:
Drawn By: W CALITZ	Checked By: V SAMBOKWE
Date: 15-02-2022	Authorized By:
PLP Drawing Number:	Rev: 0
Client Drawing Number:	