

TOLERANCES UNLESS OTHERWISE SPECIFIED
 LINEAR: TWO DECIMALS - ± 0.05 mm
 ONE DECIMAL - ± 0.1 mm
 NO DECIMAL - ± 0.5 mm
 ANGULAR: $\pm 0.5^\circ$

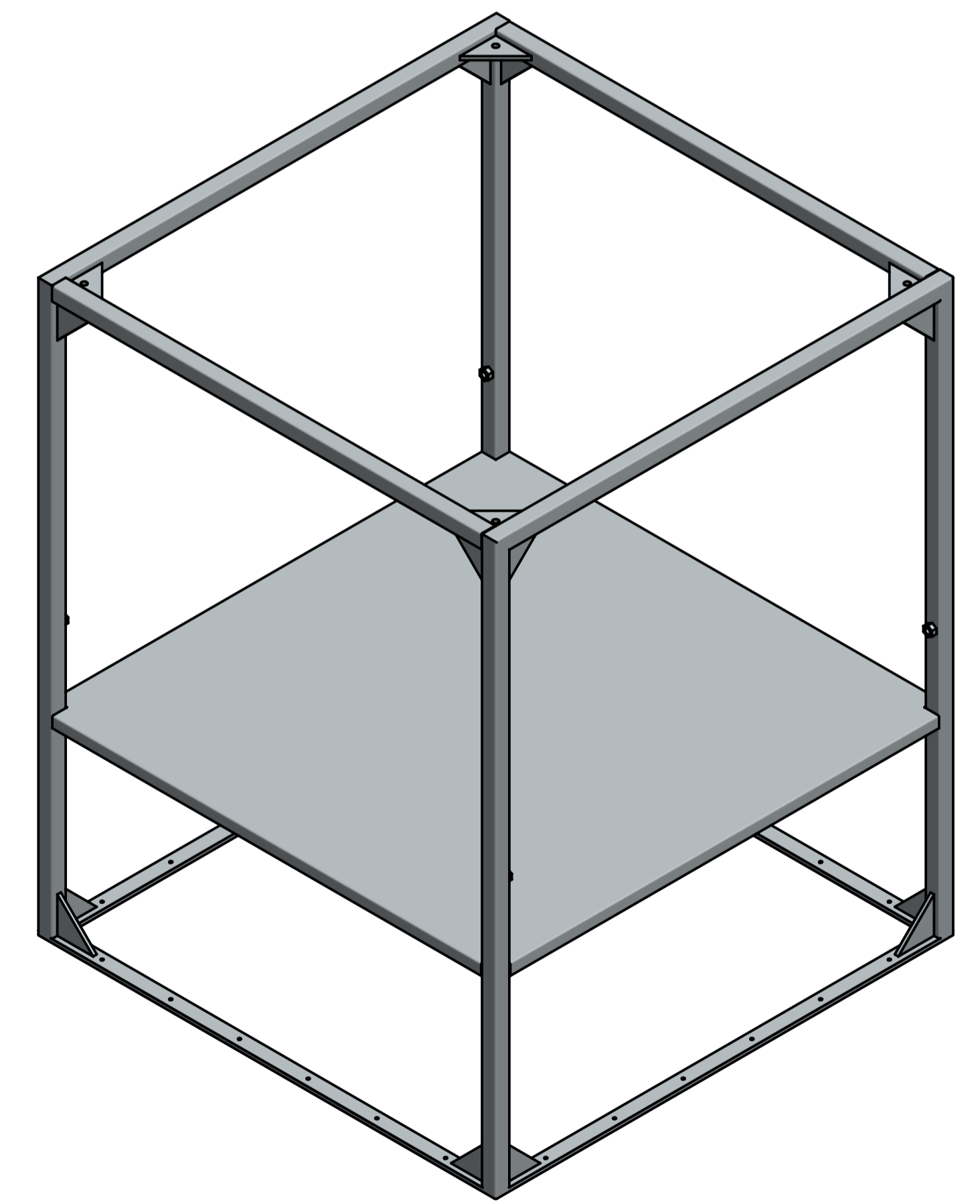
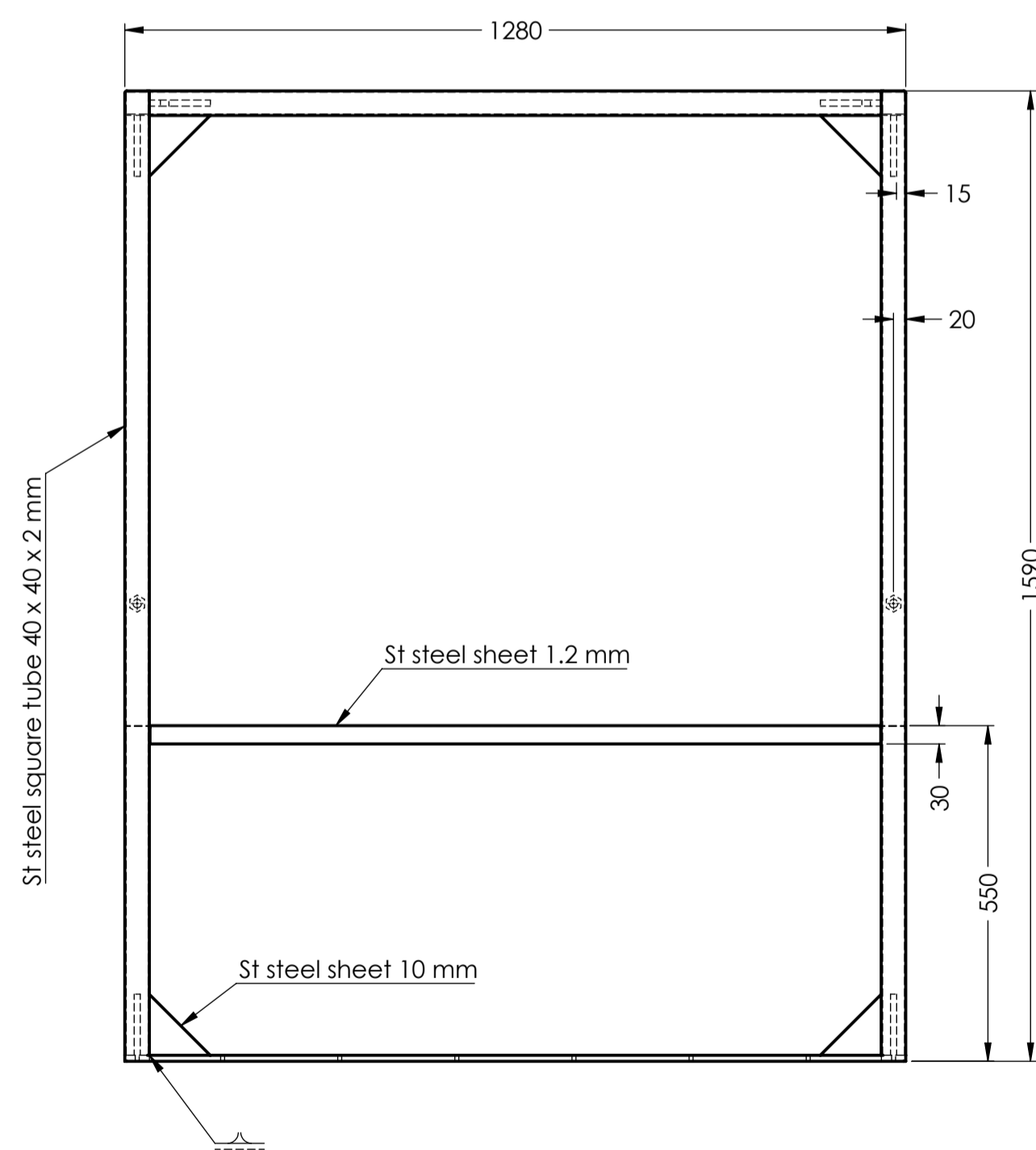
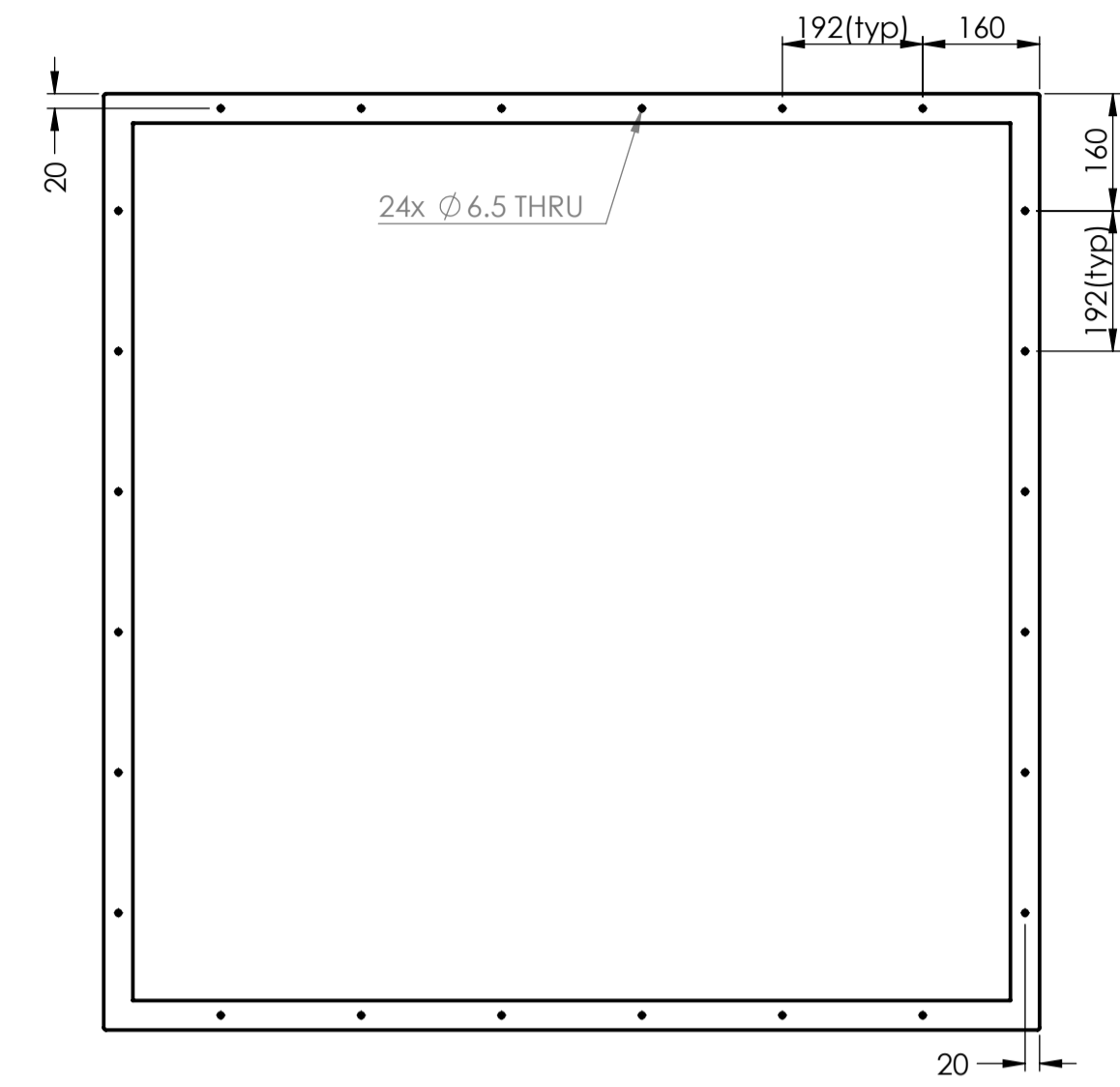
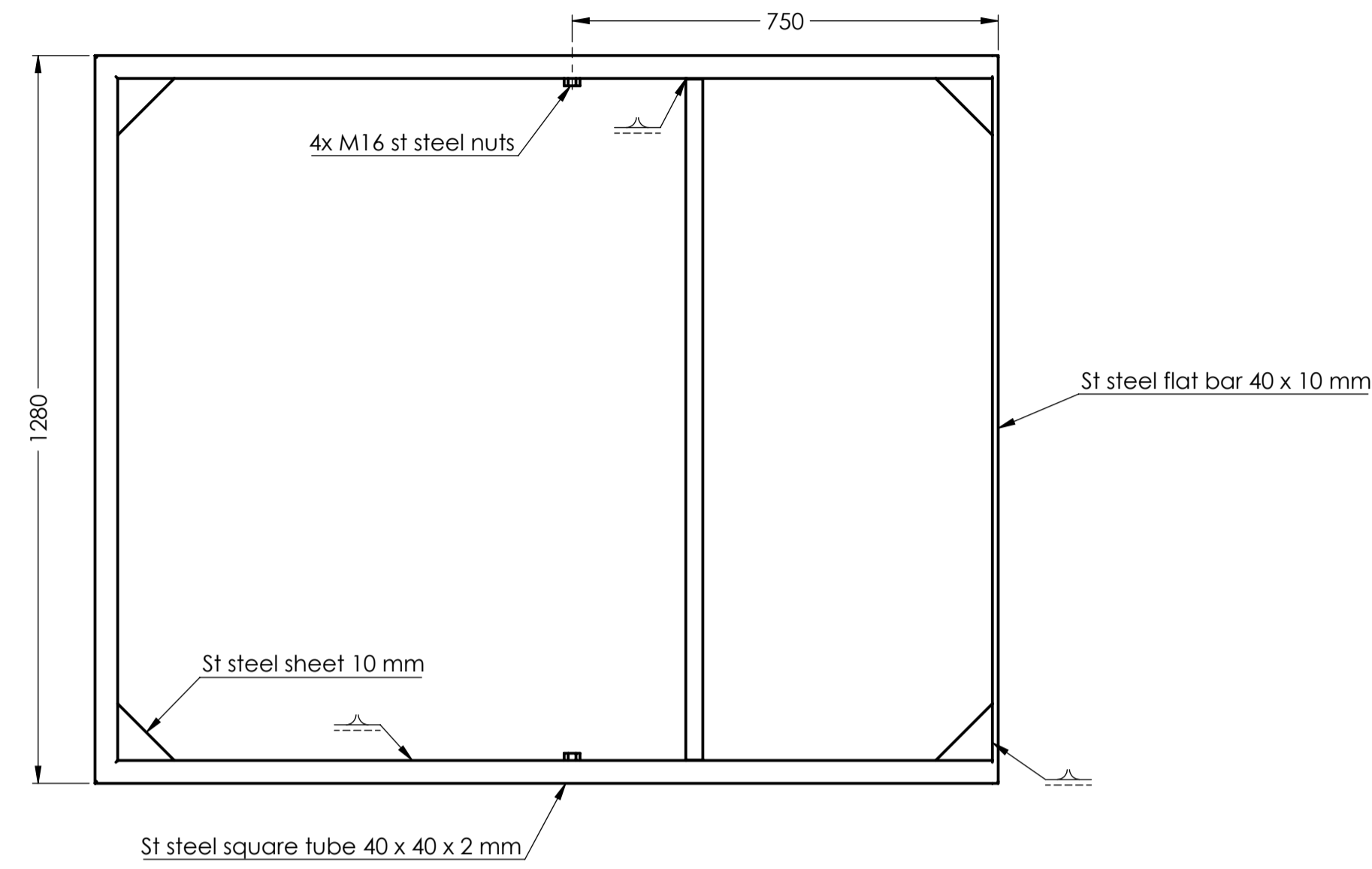
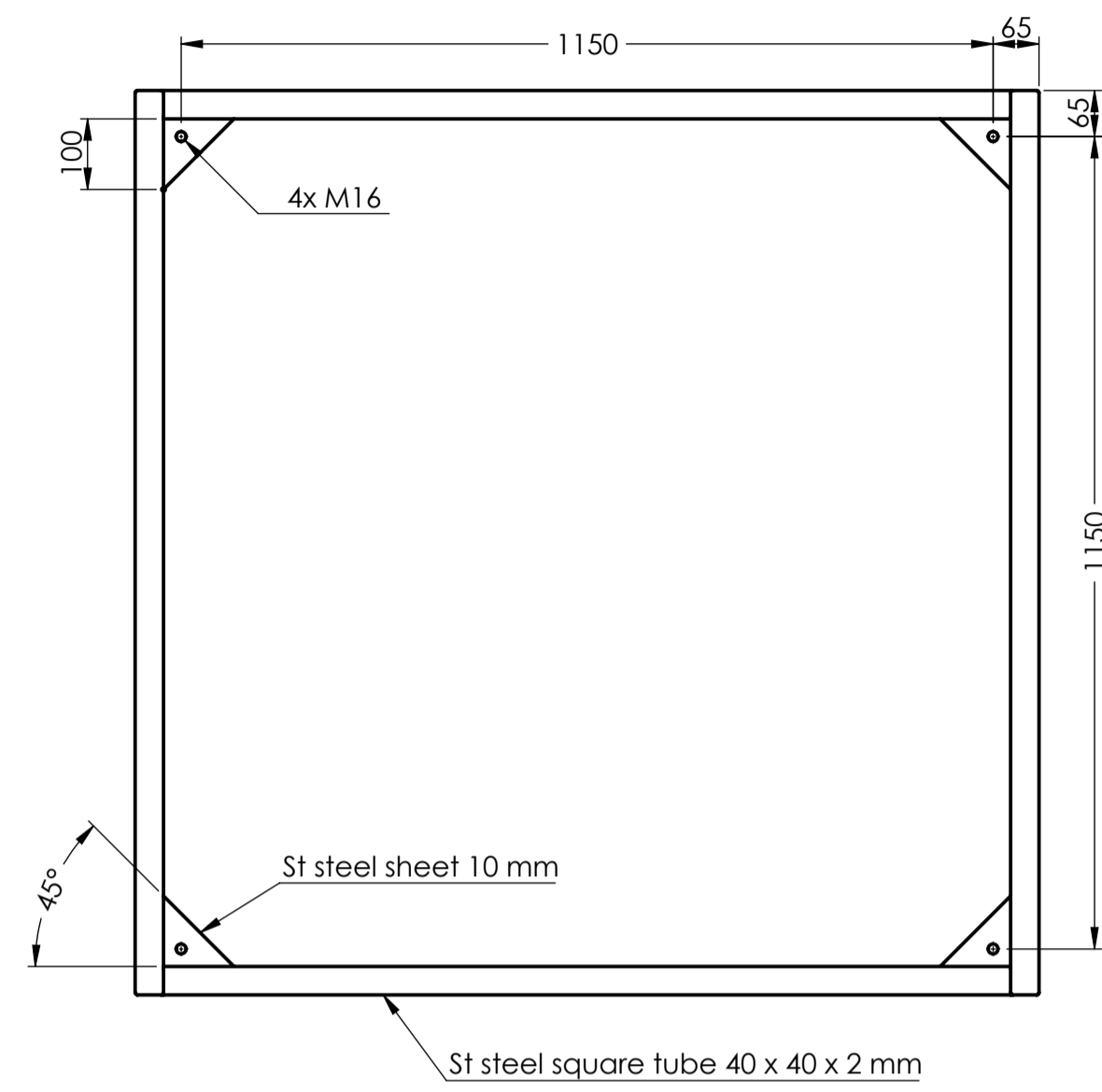
DATE	DRAWN	CHECKED	APPROVED
2023-07-20	C vd Westhuizen		

DO NOT SCALE DRAWING
 DEBUR AND BREAK SHARP EDGES
 SURFACE FINISH: 1.4 μ m SHEET 1 OF 1

3 RD ANGLE PROJECTION
 MATERIAL: St steel
 TREATMENT:

TITLE: Chiller st steel frame
 PART NO:
 QUANTITY: 1

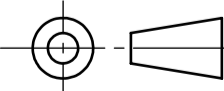




TOLERANCES UNLESS OTHERWISE SPECIFIED
 LINEAR: TWO DECIMALS - ± 0.05 mm
 ONE DECIMAL - ± 0.1 mm
 NO DECIMAL - ± 0.5 mm
 ANGULAR: ± 0.5°

DATE	DRAWN	CHECKED	APPROVED
2023-09-01	C vd Westhuizen		

DO NOT SCALE DRAWING
 DEBUR AND BREAK SHARP EDGES
 SURFACE FINISH: 1.4 µm SHEET 1 OF 1

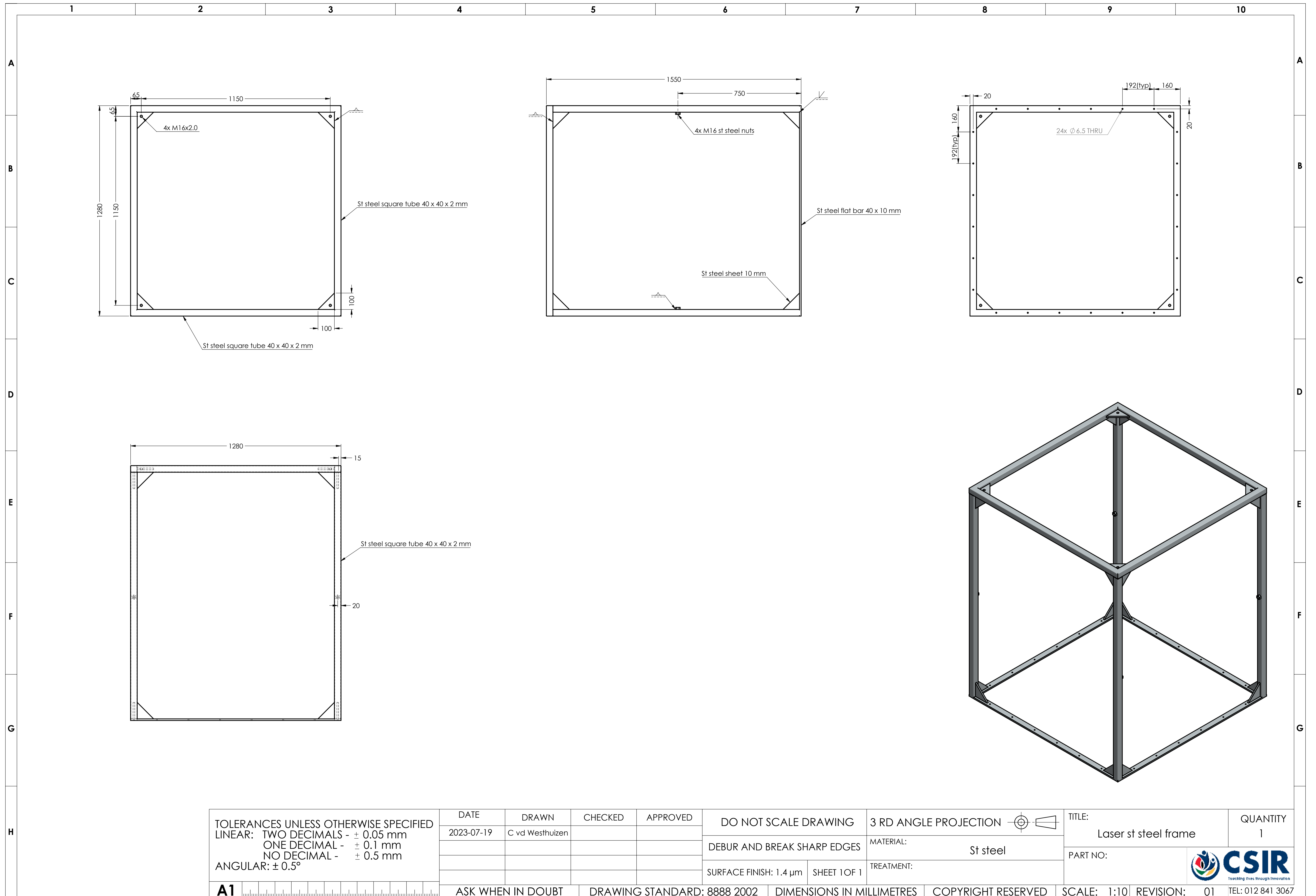
3 RD ANGLE PROJECTION 
 MATERIAL: See bill of material
 TREATMENT:

TITLE: Electronics rack + frame assembly
 PART NO:

QUANTITY: 1



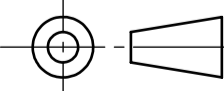
A1



TOLERANCES UNLESS OTHERWISE SPECIFIED
 LINEAR: TWO DECIMALS - ± 0.05 mm
 ONE DECIMAL - ± 0.1 mm
 NO DECIMAL - ± 0.5 mm
 ANGULAR: ± 0.5°

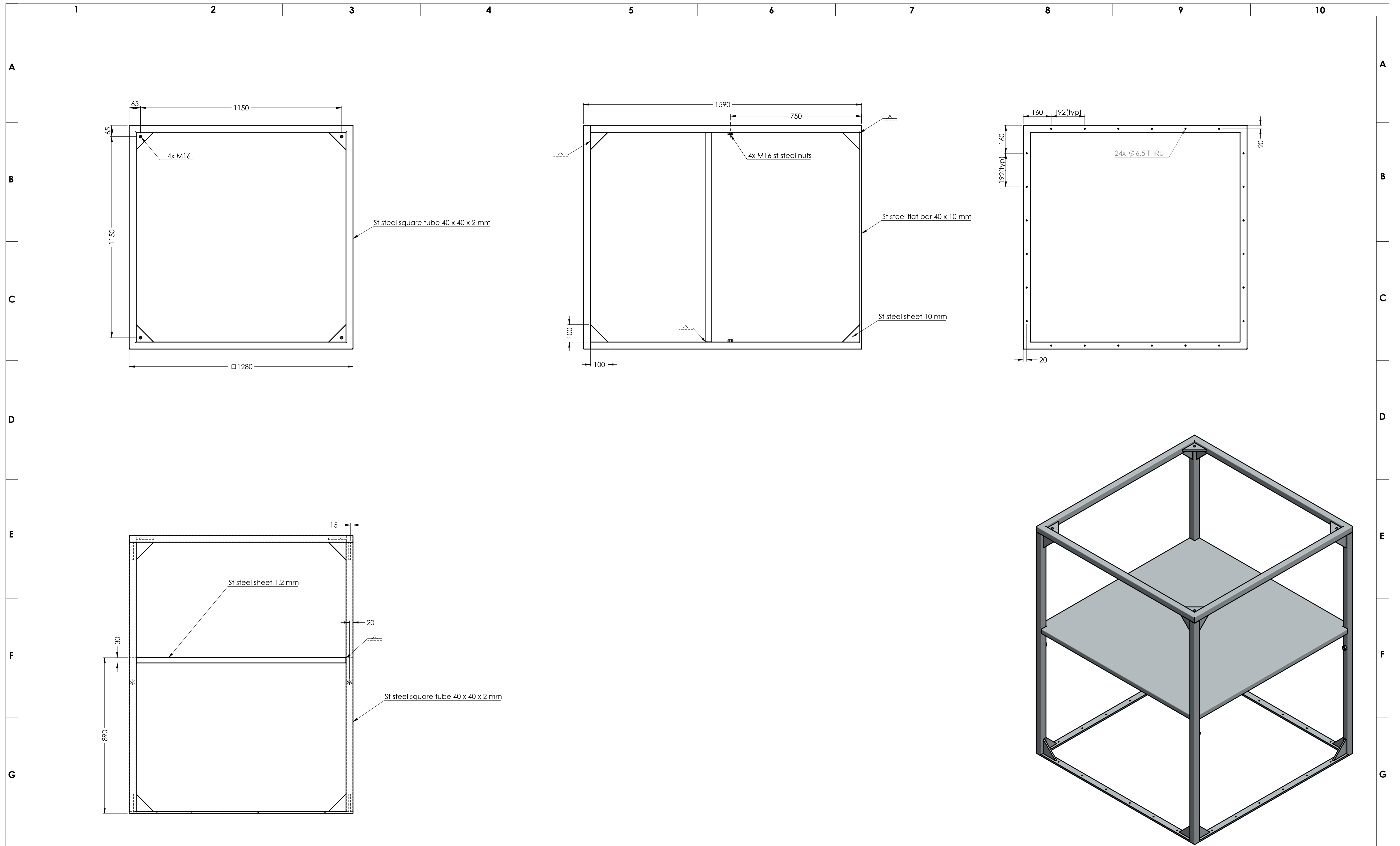
DATE	DRAWN	CHECKED	APPROVED
2023-07-19	C vd Westhuizen		

DO NOT SCALE DRAWING
 DEBUR AND BREAK SHARP EDGES
 SURFACE FINISH: 1.4 µm SHEET 1 OF 1

3 RD ANGLE PROJECTION 
 MATERIAL: St steel
 TREATMENT:

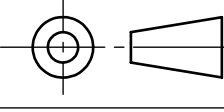
TITLE: Laser st steel frame
 PART NO:

QUANTITY: 1

TOLERANCES UNLESS OTHERWISE SPECIFIED
 LINEAR: TWO DECIMALS - ± 0.05 mm
 ONE DECIMAL - ± 0.1 mm
 NO DECIMAL - ± 0.5 mm
 ANGULAR: $\pm 0.5^\circ$

DATE	DRAWN	CHECKED	APPROVED
2023-09-02	C vd Westhuizen		

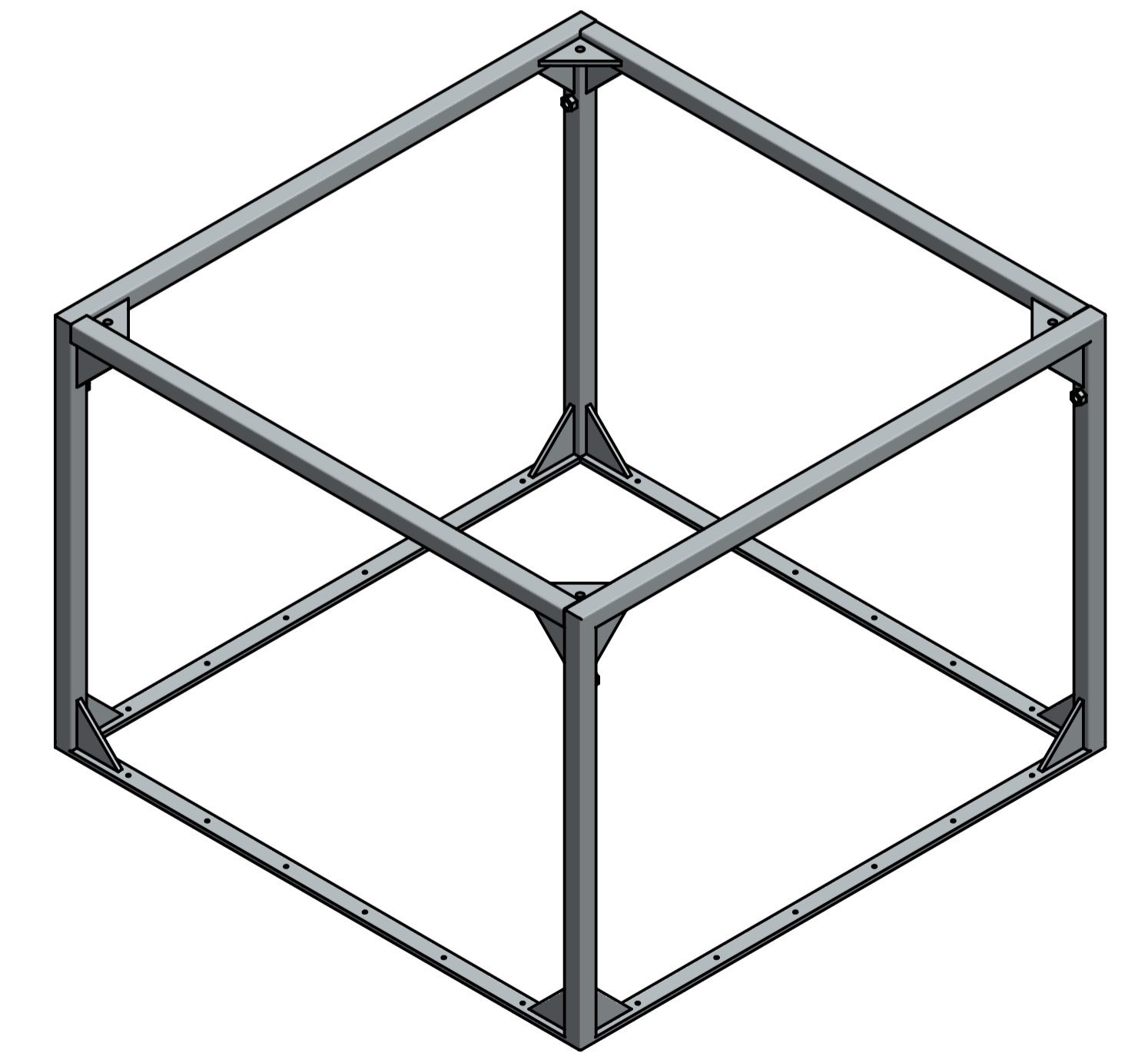
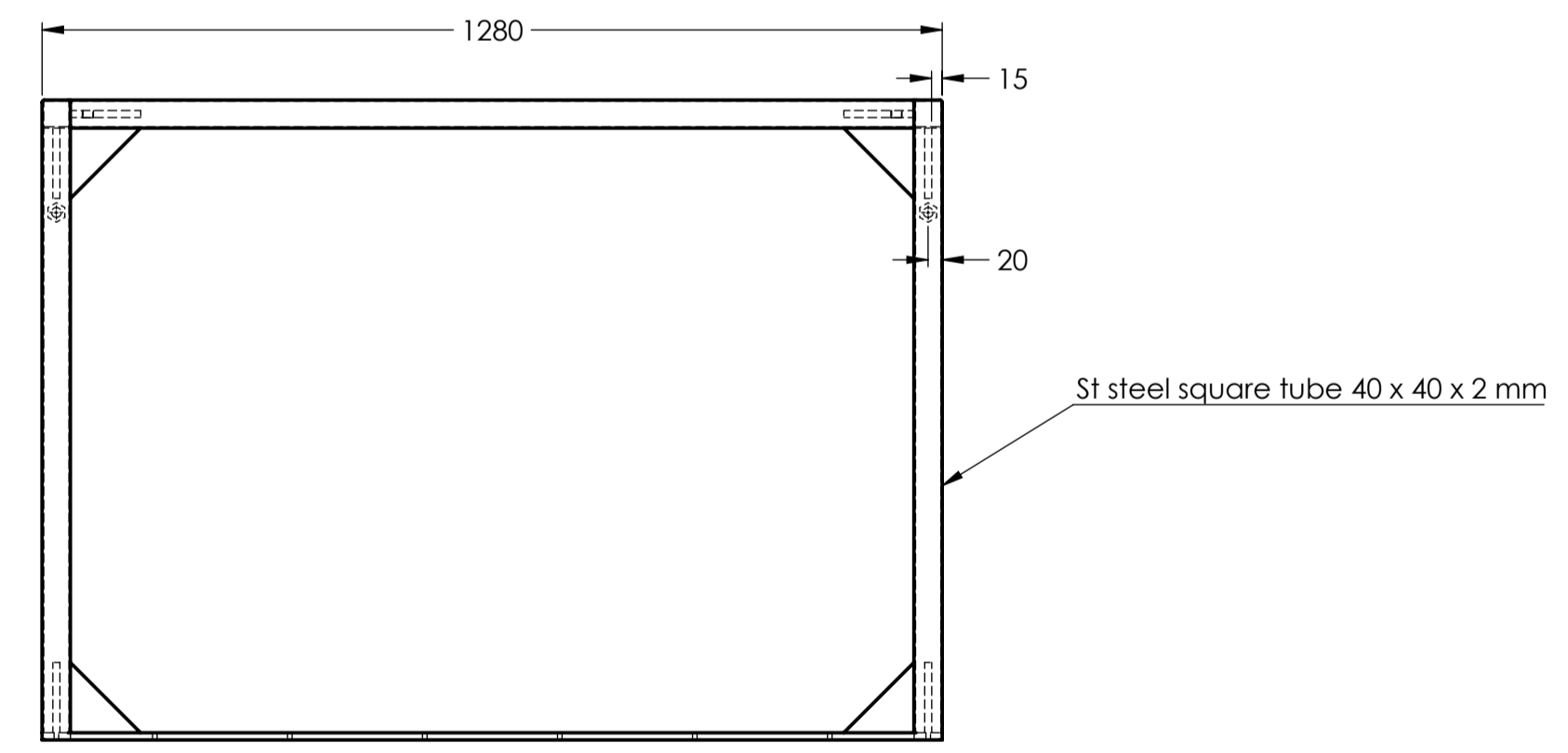
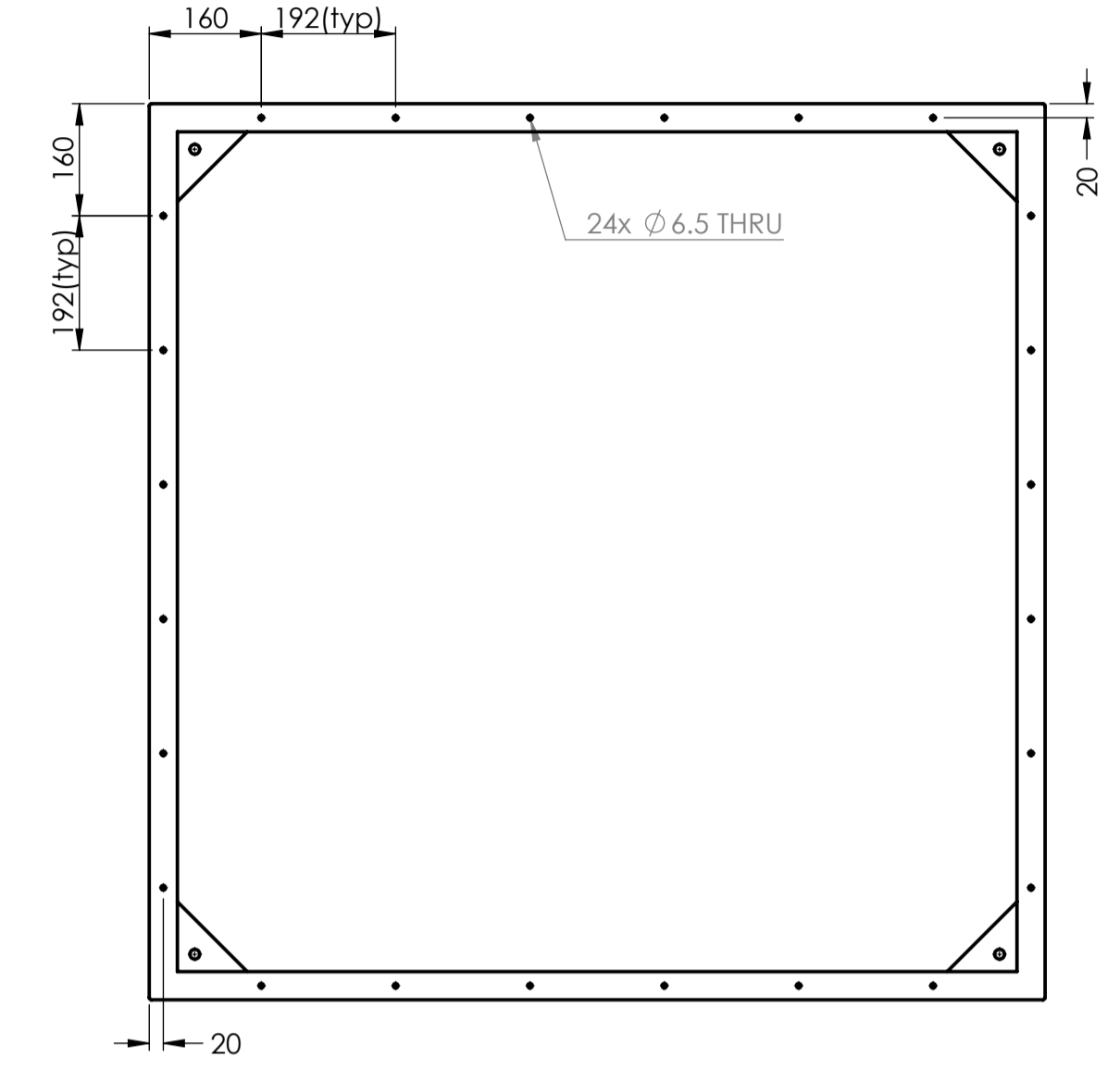
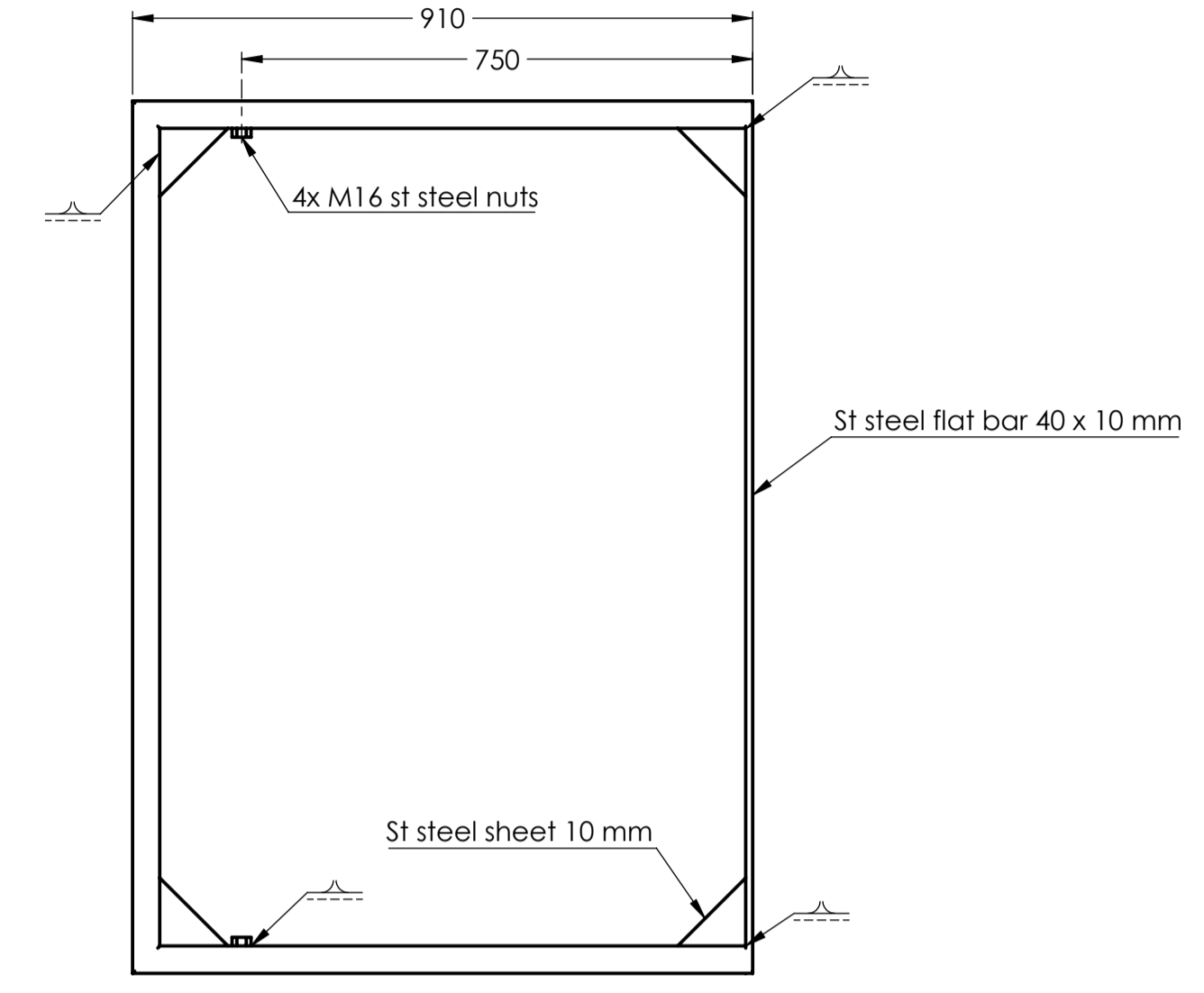
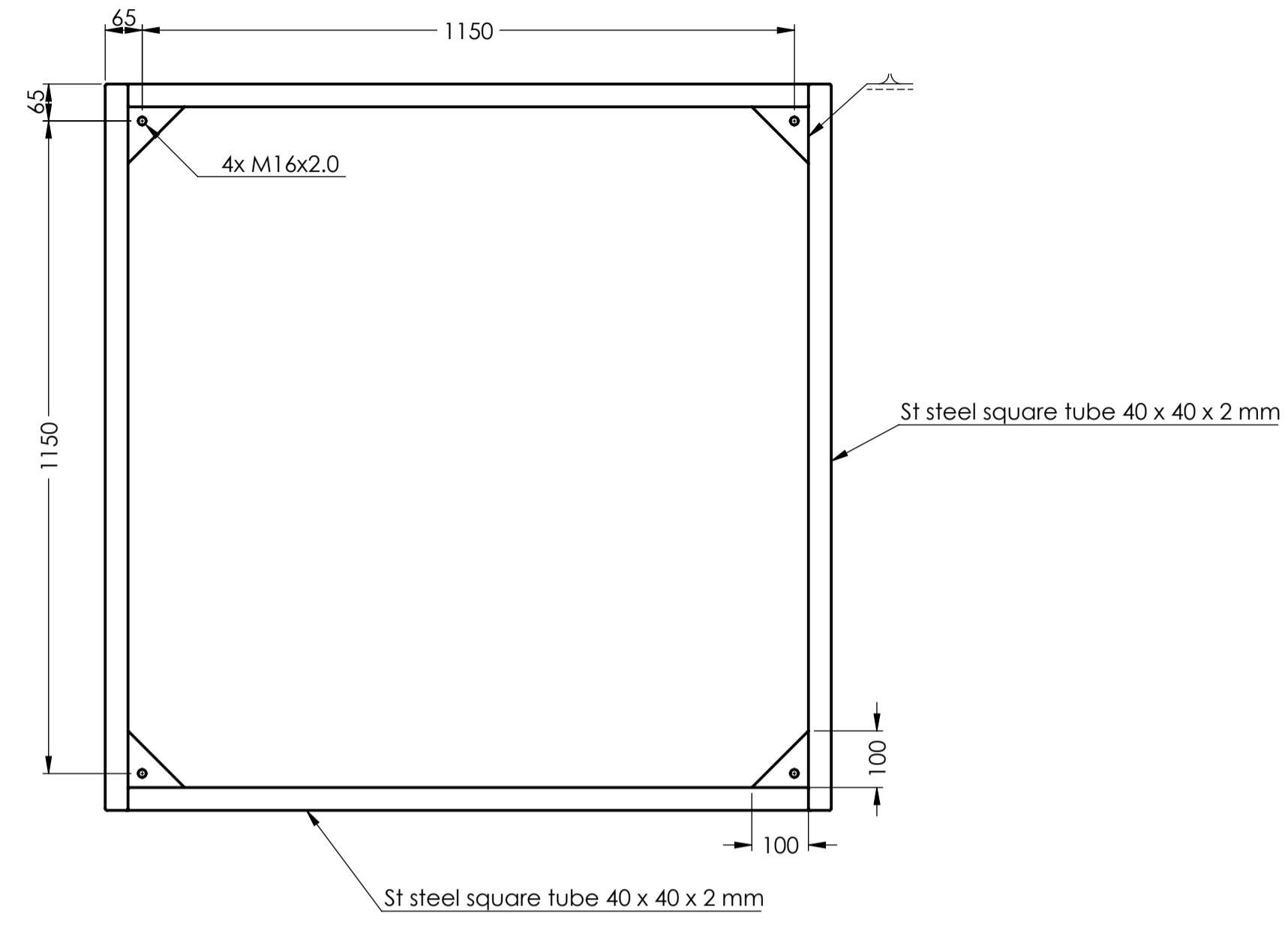
DO NOT SCALE DRAWING
 3 RD ANGLE PROJECTION 
 DEBUR AND BREAK SHARP EDGES
 SURFACE FINISH: 1.4 μ m SHEET 1 OF 1

MATERIAL: See bill of material
 TREATMENT:

TITLE: Robot controller rack + frame assembly
 PART NO:

QUANTITY: 1

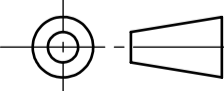
 Teaching lives through innovation



TOLERANCES UNLESS OTHERWISE SPECIFIED
 LINEAR: TWO DECIMALS - ± 0.05 mm
 ONE DECIMAL - ± 0.1 mm
 NO DECIMAL - ± 0.5 mm
 ANGULAR: $\pm 0.5^\circ$

DATE	DRAWN	CHECKED	APPROVED
2023-08-22	C vd Westhuizen		

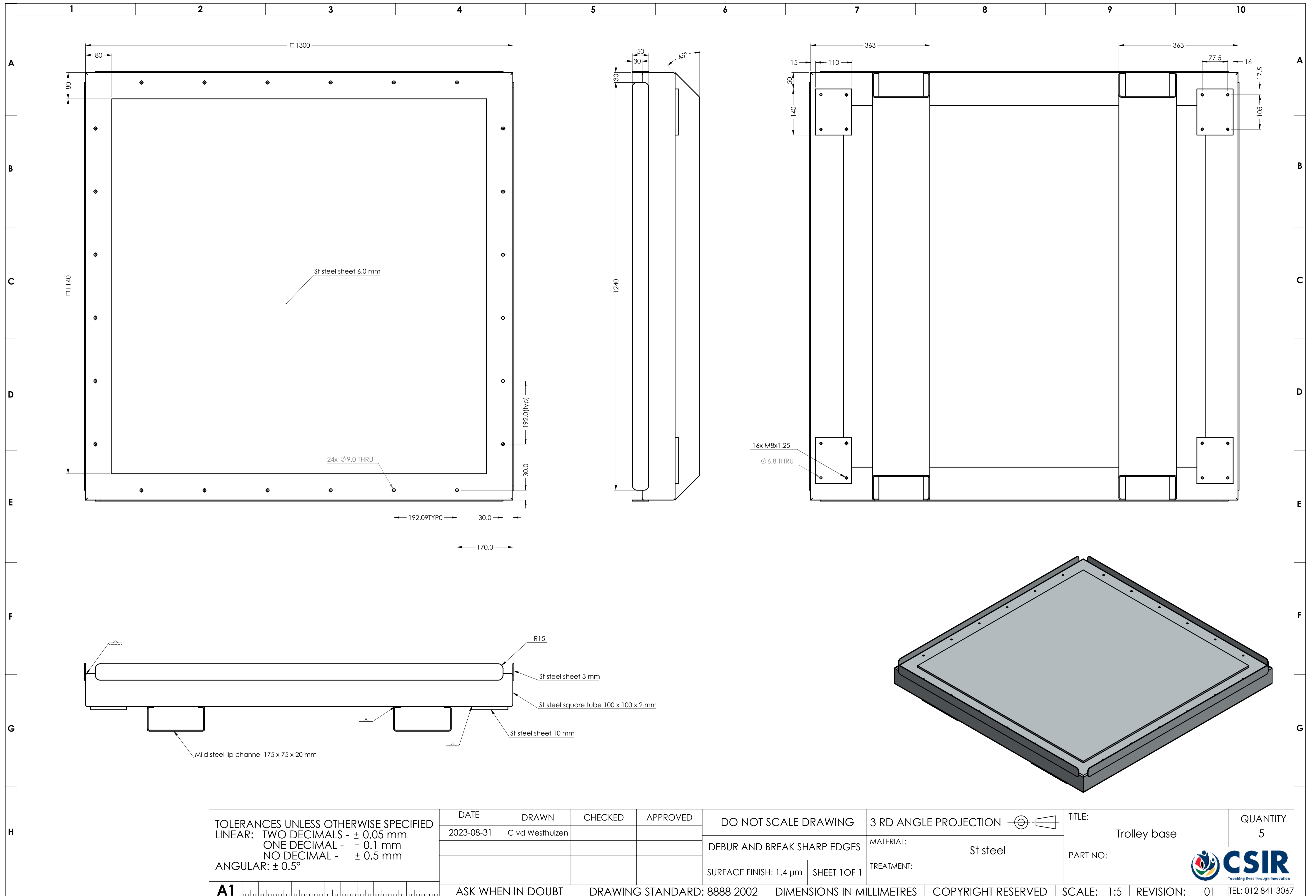
DO NOT SCALE DRAWING
 DEBUR AND BREAK SHARP EDGES
 SURFACE FINISH: 1.4 μ m SHEET 1 OF 1

3 RD ANGLE PROJECTION 
 MATERIAL: St steel
 TREATMENT:

TITLE: Powder feeder st steel frame
 PART NO:

QUANTITY 1

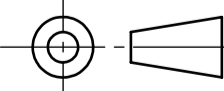




TOLERANCES UNLESS OTHERWISE SPECIFIED
 LINEAR: TWO DECIMALS - ± 0.05 mm
 ONE DECIMAL - ± 0.1 mm
 NO DECIMAL - ± 0.5 mm
 ANGULAR: ± 0.5°

DATE	DRAWN	CHECKED	APPROVED
2023-08-31	C vd Westhuizen		


DO NOT SCALE DRAWING
 DEBUR AND BREAK SHARP EDGES
 SURFACE FINISH: 1.4 µm SHEET 1 OF 1

3 RD ANGLE PROJECTION 
 MATERIAL: St steel
 TREATMENT:

TITLE: Trolley base
 PART NO:
 SCALE: 1:5 REVISION: 01

QUANTITY: 5

 TEL: 012 841 3067

A1 

ASK WHEN IN DOUBT DRAWING STANDARD: 8888 2002 DIMENSIONS IN MILLIMETRES COPYRIGHT RESERVED