

NOTES / LEGEND

PROJECT STATUS

INFORMATION

APPROVED BY COUNCIL / CLIENT

CITY ENGINEER / CLIENT REG. NO. DATE

AMENDMENTS CODE

A,B,C... / : BEFORE TENDER / : TENDER DRAWING / 0,1,2... / : AFTER TENDER / Z / : AS BUILT
 /A : BY CLIENT / /B : BY ARCHITECT / /C : BY MECHANICAL OR ELECTRICAL / /D : BY BVI / /E : BY OTHER ()

DATE	INITIAL	NO./CODE	REVISION DESCRIPTION
19/04/2023	A.V.R	T0	FOR TENDER

COPYRIGHT VESTS IN THIS DOCUMENT AND NO USE OR REPRODUCTION OR DUPLICATION THEREOF MAY OCCUR WITHOUT THE WRITTEN CONSENT OF BVI CONSULTING ENGINEERS

OFFICES

PROVINCE	OFFICE	PHONE	E-MAIL
Gauteng	Tshwane	(012) 945 1111	pta@bvi.co.za
	Pretoria	(012) 231 2400	pta@bvi.co.za
Free State	Stellenbosch	(021) 442 2137	sta@bvi.co.za
	Wolkom	(051) 503 3498	wa@bvi.co.za
Northern Cape	Upington	(054) 337 6800	upa@bvi.co.za
	Springs	(027) 712 9596	spa@bvi.co.za
Free/Leo Natal	Durban	(031) 266 6562	pbu@bvi.co.za
	Empangeni	(035) 772 4112	emp@bvi.co.za
Eastern Cape	Port Elizabeth	(041) 373 4343	pea@bvi.co.za
	East London	(043) 726 1444	ela@bvi.co.za
Western Cape	Cape Town	(021) 527 7000	pta@bvi.co.za

REGISTRATION NO. 1988/001/17/07

CLIENT

CSIR

PROJECT

CSIR KOEBERG HALL INTERNAL ALTERATIONS

DRAWING TITLE

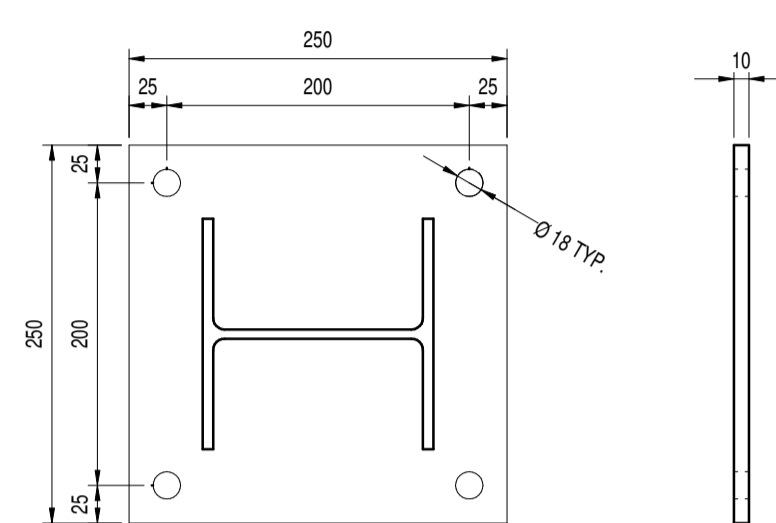
GROUND FLOOR & MEZZANINE PLAN

APPROVED BY BVI

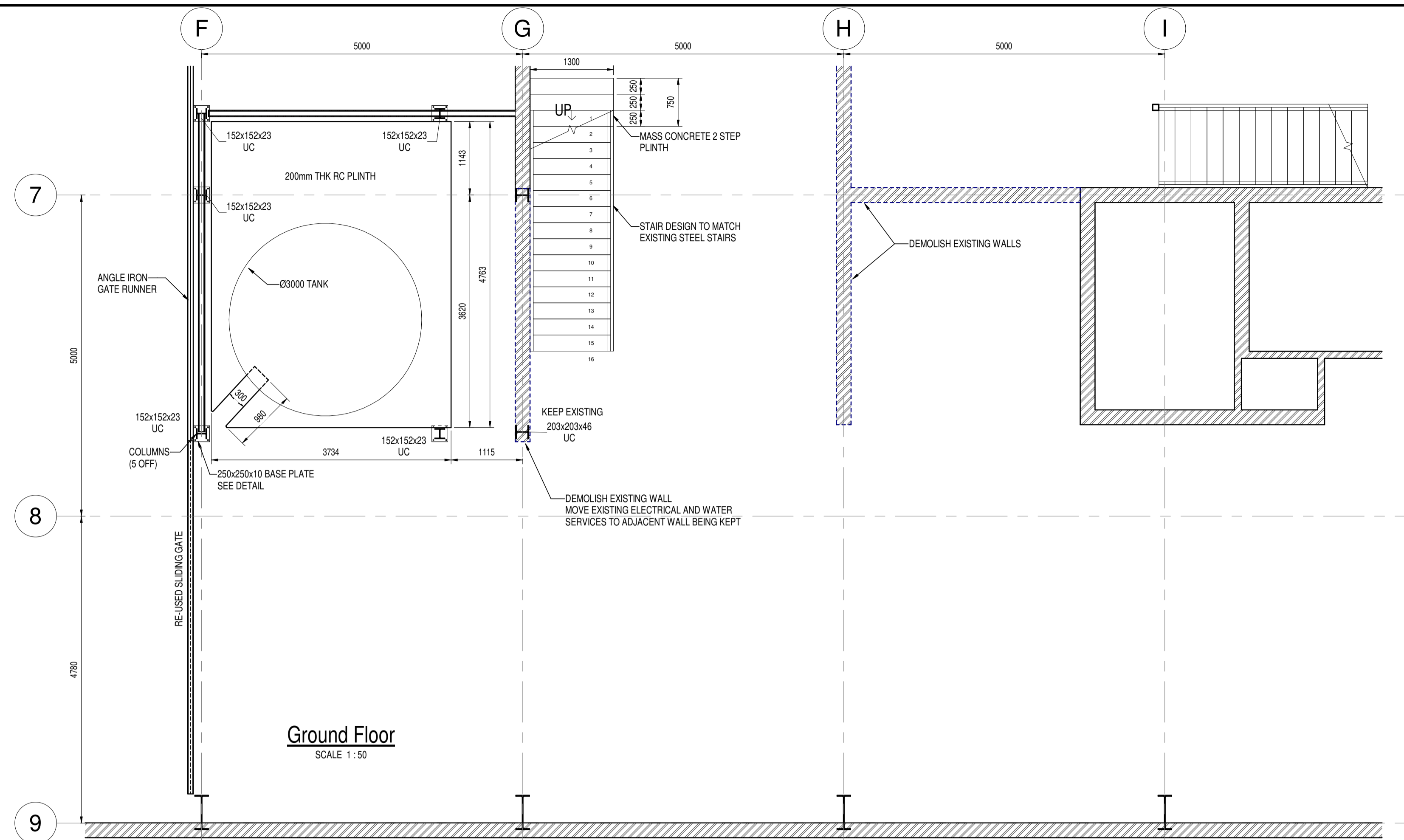
ENGINEER/TECHNOLOGIST REG. NO. DATE

SCALE	As indicated @ A1	DRAWN	A.VAN ROOYEN
DESIGNED	J.DE LANGE	CHECKED	J.DE LANGE

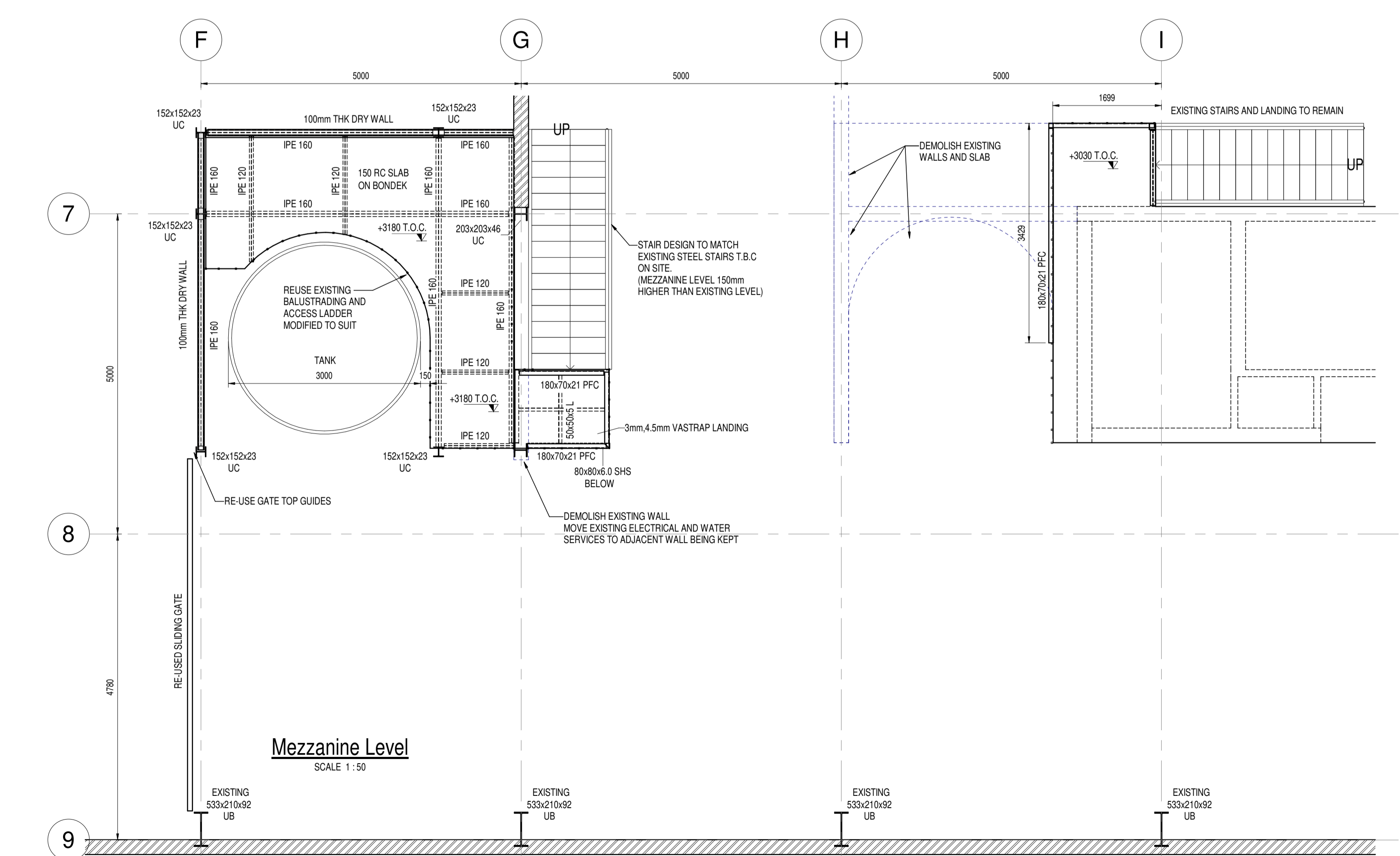
PLAN NUMBER	REVISION NO.	DATE SAVED
34945.00-201-03	T0	19/04/2023



BASE PLATE DETAIL (5 OFF)
SCALE 1 : 5



Ground Floor
SCALE 1 : 50



Mezzanine Level
SCALE 1 : 50