

1 2 3 4 5 6

A

A

B

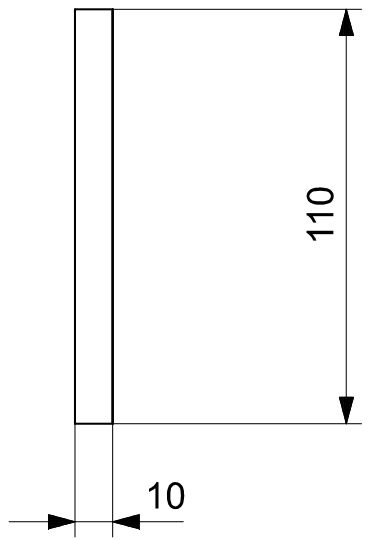
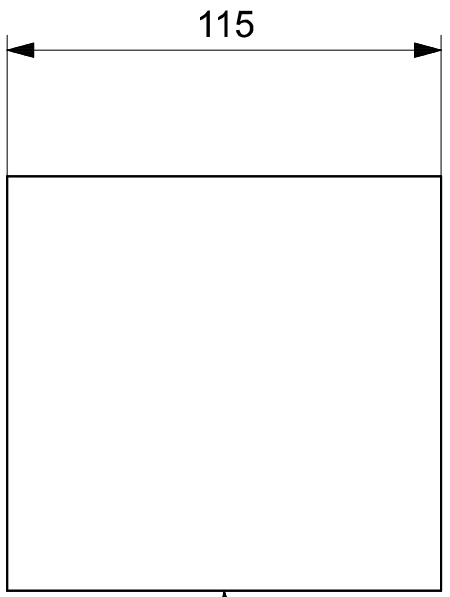
B

C

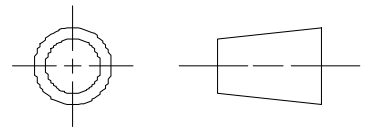
C

D

D



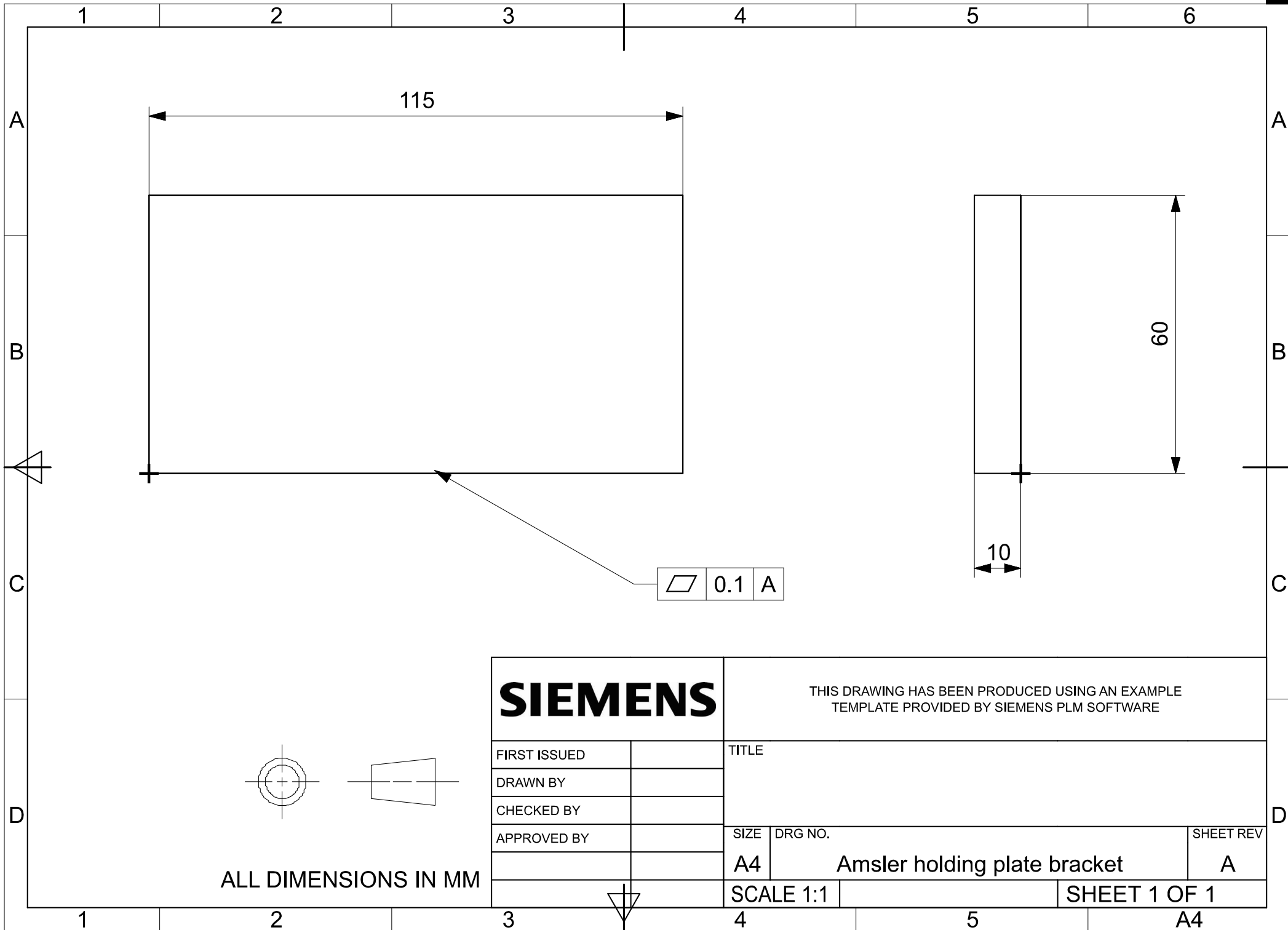
	0.1	A
--	-----	---



ALL DIMENSIONS IN MM

<b>SIEMENS</b>		THIS DRAWING HAS BEEN PRODUCED USING AN EXAMPLE TEMPLATE PROVIDED BY SIEMENS PLM SOFTWARE		
FIRST ISSUED		TITLE		
DRAWN BY				
CHECKED BY				
APPROVED BY		SIZE	DRG NO.	SHEET REV
		A4	2inch_holding plate bracket	A
		SCALE 1:1		SHEET 1 OF 1

1 2 3 4 5 6 A4



115

60

10

0.1 A

**SIEMENS**

THIS DRAWING HAS BEEN PRODUCED USING AN EXAMPLE  
TEMPLATE PROVIDED BY SIEMENS PLM SOFTWARE

FIRST ISSUED	
DRAWN BY	
CHECKED BY	
APPROVED BY	

TITLE		
SIZE	DRG NO.	SHEET REV
A4	Amsler holding plate bracket	A

ALL DIMENSIONS IN MM

SCALE 1:1 SHEET 1 OF 1

1 2 3 4 5 6

A

B

C

D

1 2 3 4 5 6

1

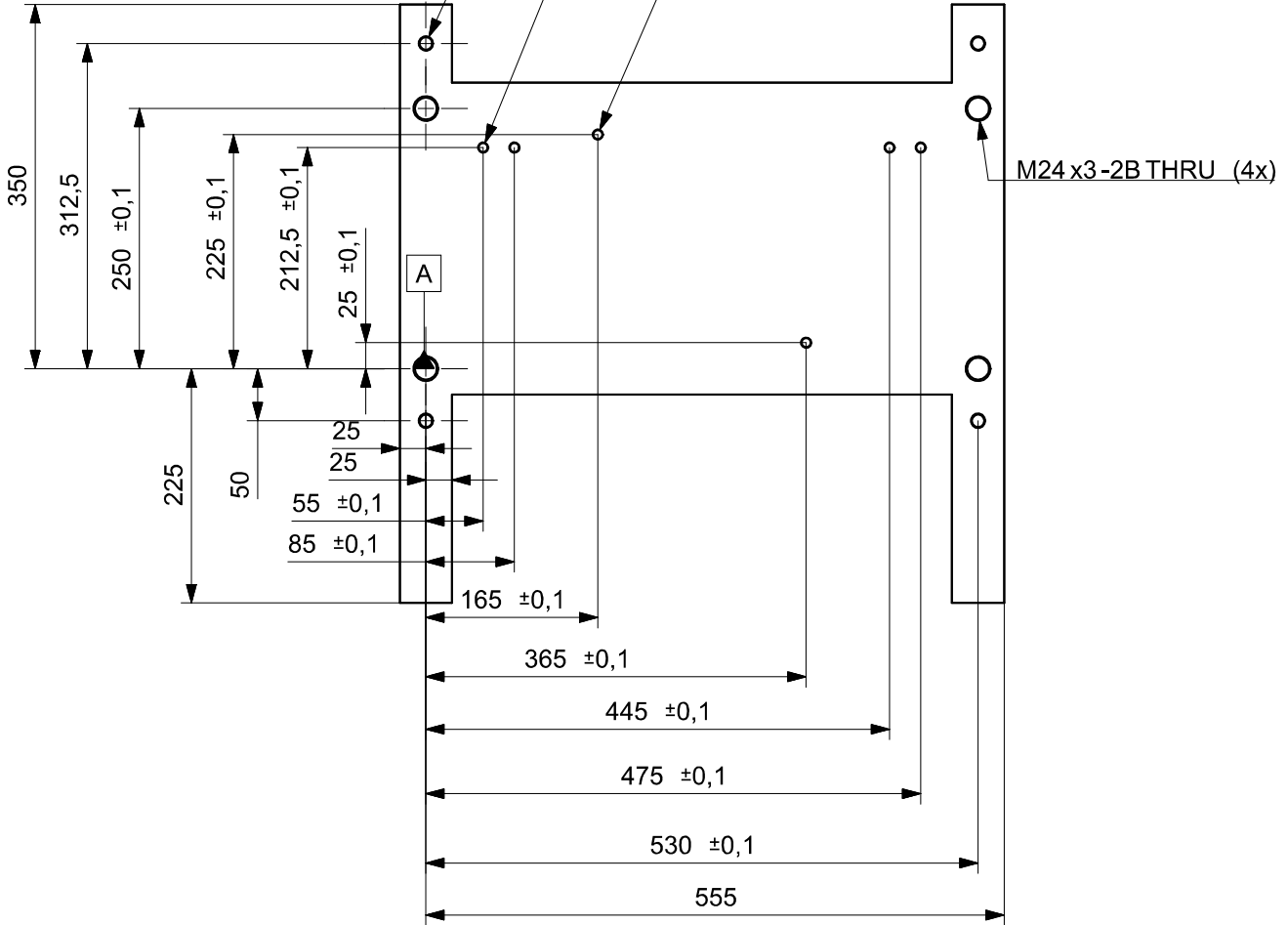
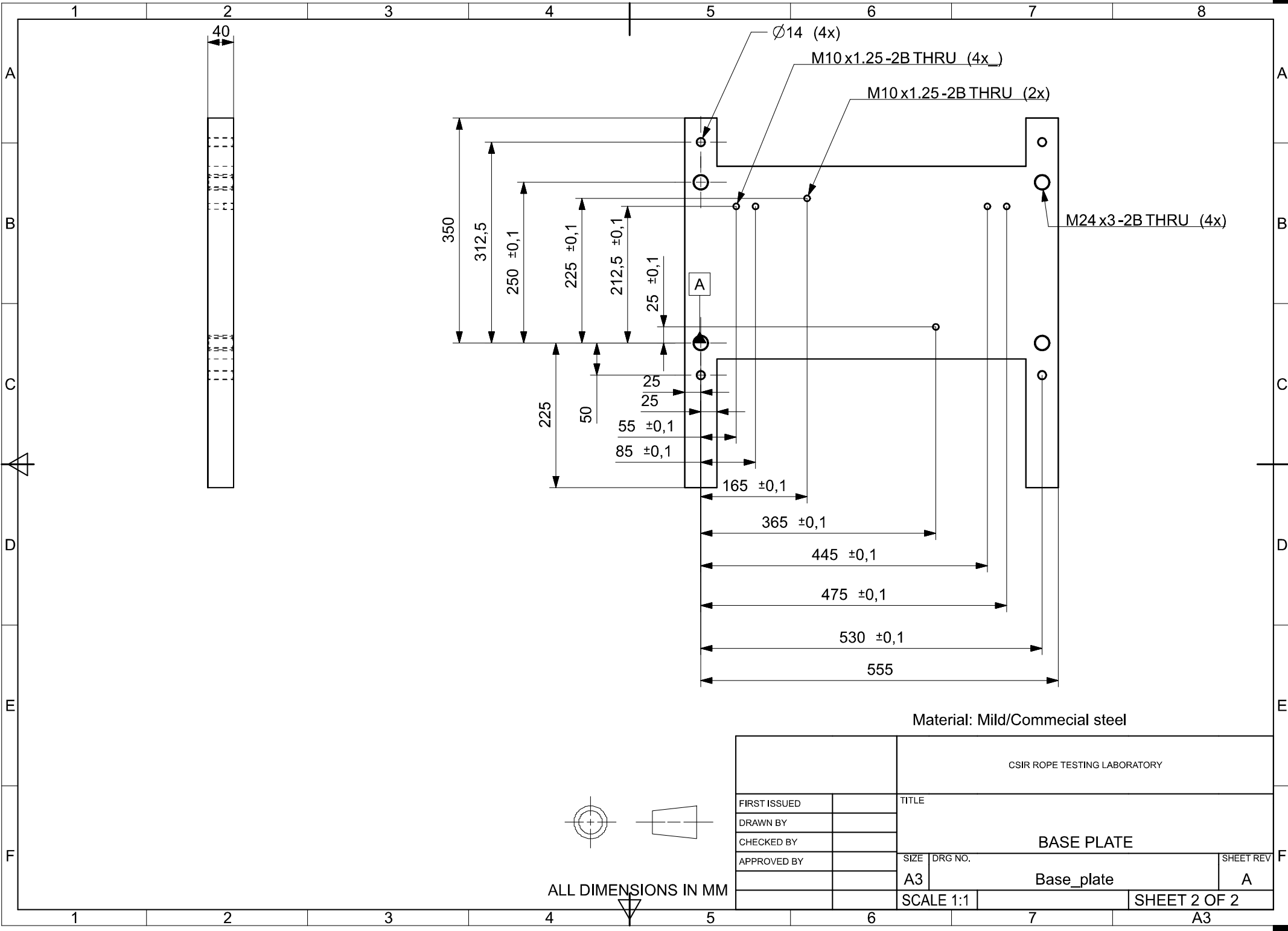
2

3

4

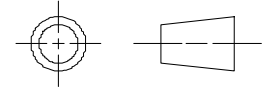
5

A4



Material: Mild/Commercial steel

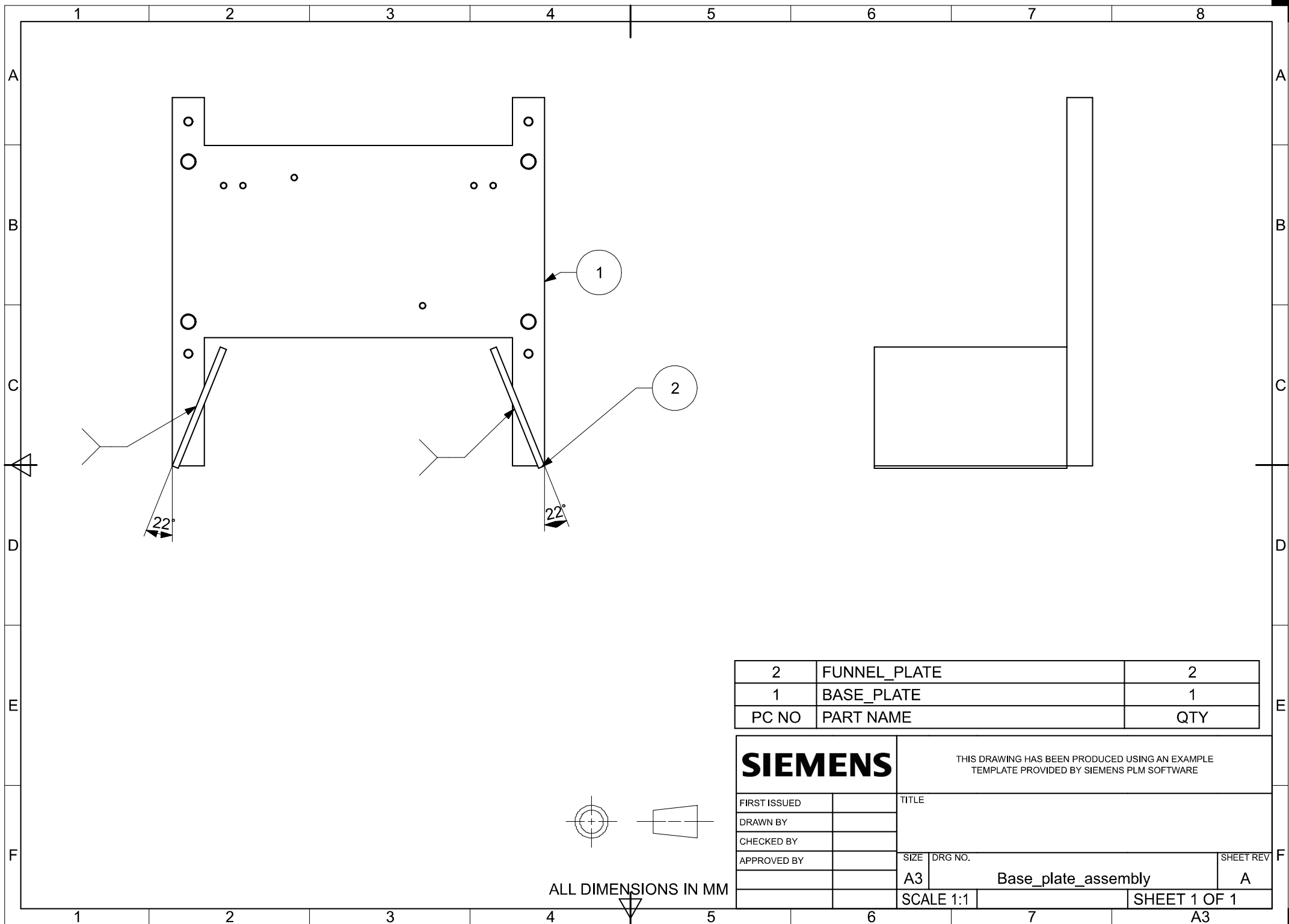
CSIR ROPE TESTING LABORATORY



ALL DIMENSIONS IN MM

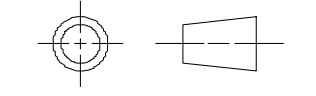
FIRST ISSUED		TITLE	
DRAWN BY		BASE PLATE	
CHECKED BY		SIZE	DRG NO.
APPROVED BY		A3	Base_plate
		SCALE 1:1	SHEET REV
			A
		SHEET 2 OF 2	

A3



2	FUNNEL_PLATE	2
1	BASE_PLATE	1
PC NO	PART NAME	QTY

<b>SIEMENS</b>		THIS DRAWING HAS BEEN PRODUCED USING AN EXAMPLE TEMPLATE PROVIDED BY SIEMENS PLM SOFTWARE		
FIRST ISSUED		TITLE		
DRAWN BY				
CHECKED BY				
APPROVED BY				
		SIZE	DRG NO.	SHEET REV
		A3	Base_plate_assembly	A
		SCALE 1:1	SHEET 1 OF 1	



ALL DIMENSIONS IN MM

1 2 3 4 5 6 7 8

A

B

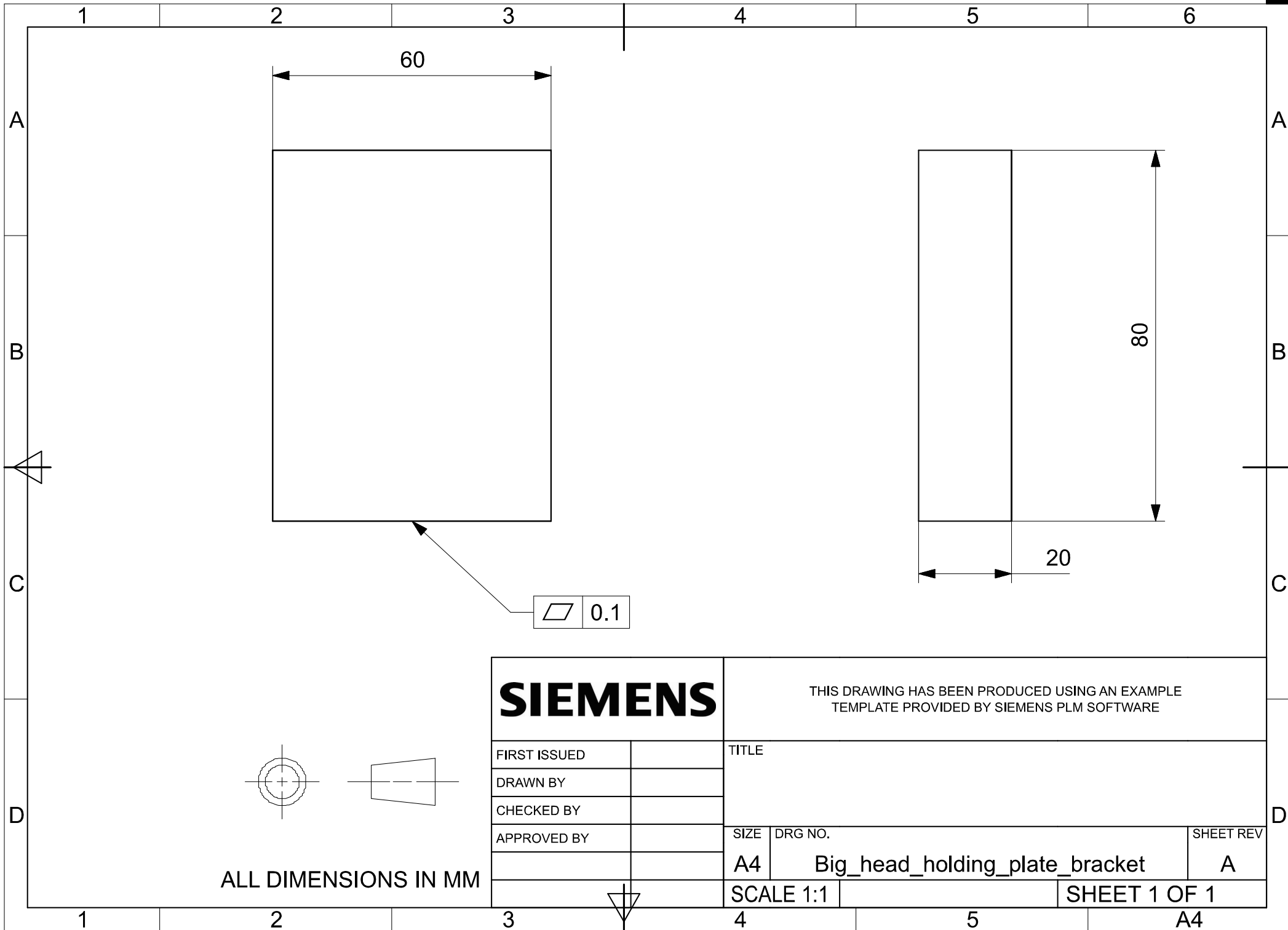
C


D

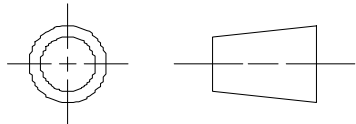
E

F

1 2 3 4 5 6 7 8 A3



 0.1



ALL DIMENSIONS IN MM

**SIEMENS**

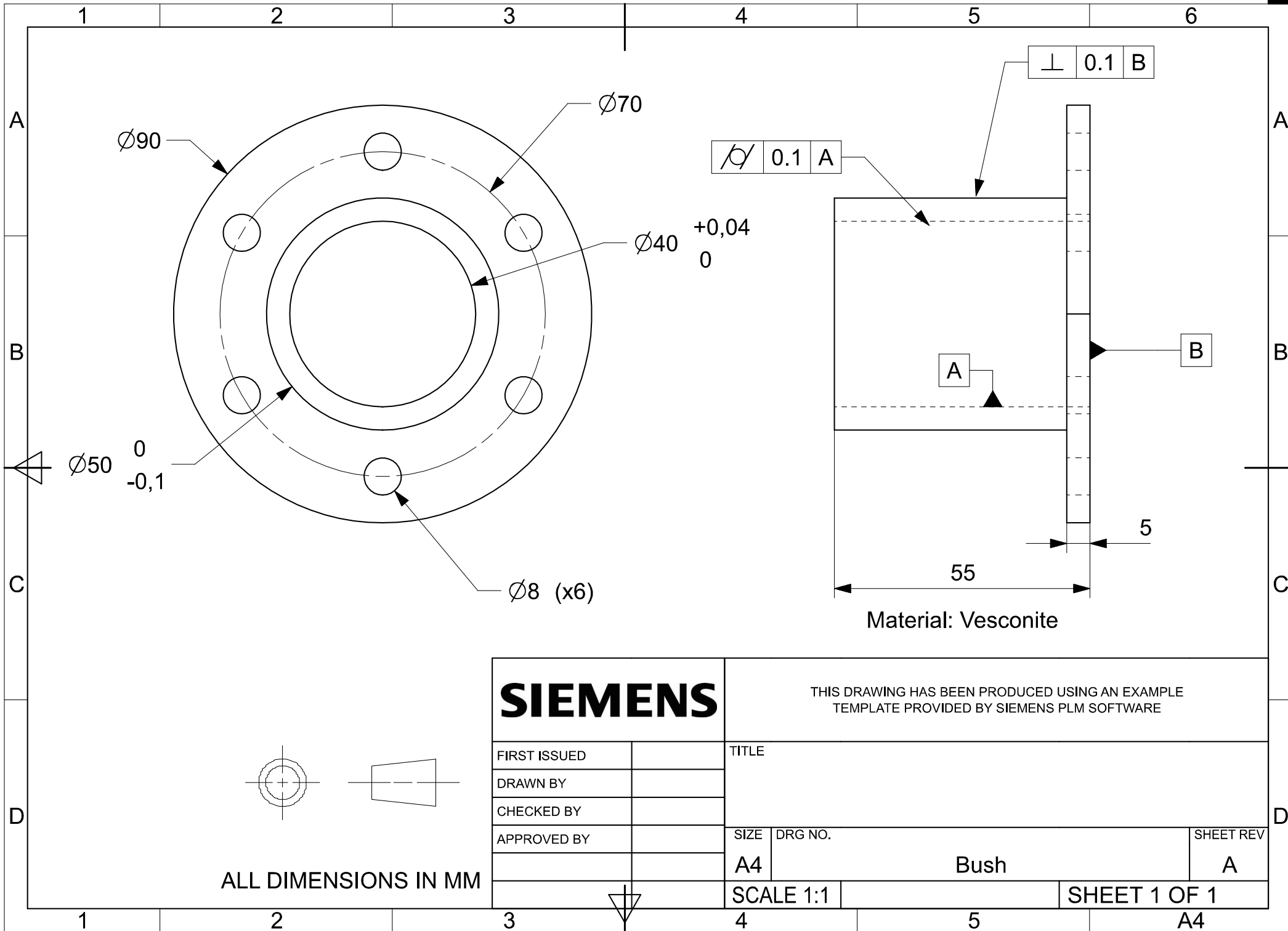
THIS DRAWING HAS BEEN PRODUCED USING AN EXAMPLE  
TEMPLATE PROVIDED BY SIEMENS PLM SOFTWARE

FIRST ISSUED	
DRAWN BY	
CHECKED BY	
APPROVED BY	

TITLE		
SIZE	DRG NO.	SHEET REV
A4	Big_head_holding_plate_bracket	A

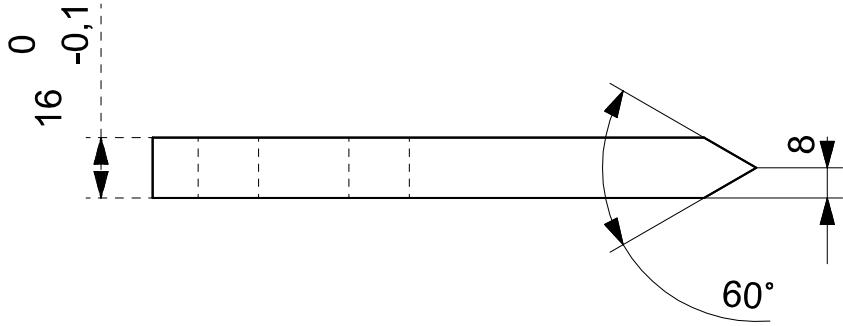
SCALE 1:1 SHEET 1 OF 1





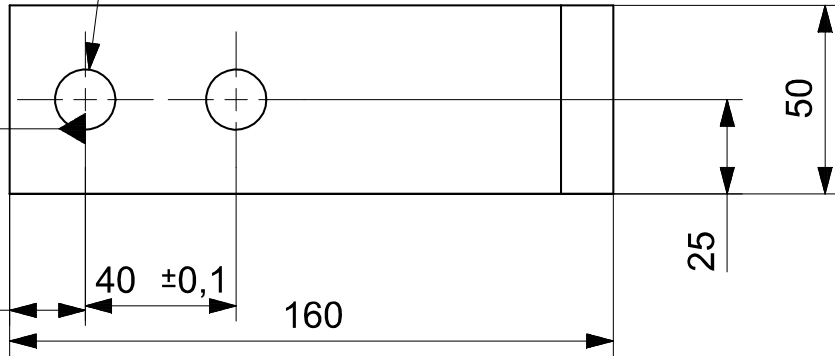
1 2 3 4 5 6

A

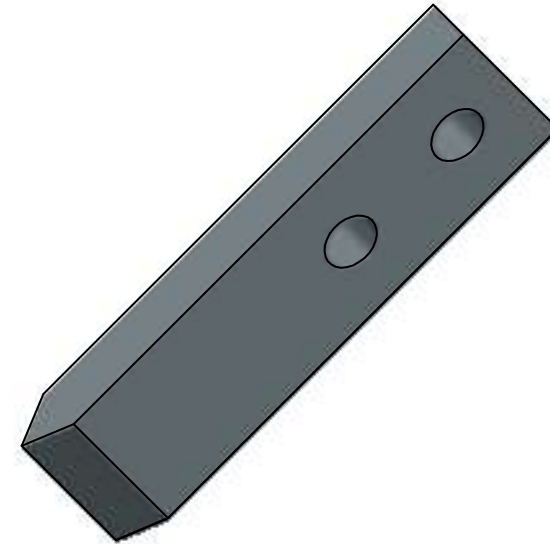


B

$\varnothing 16 \begin{matrix} +0,1 \\ 0 \end{matrix} (x2)$



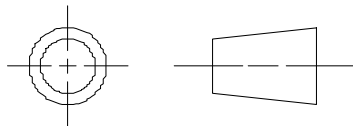
C



VIEW C

Material: Mild/Commercial steel

D



ALL DIMENSIONS IN MM

**SIEMENS**

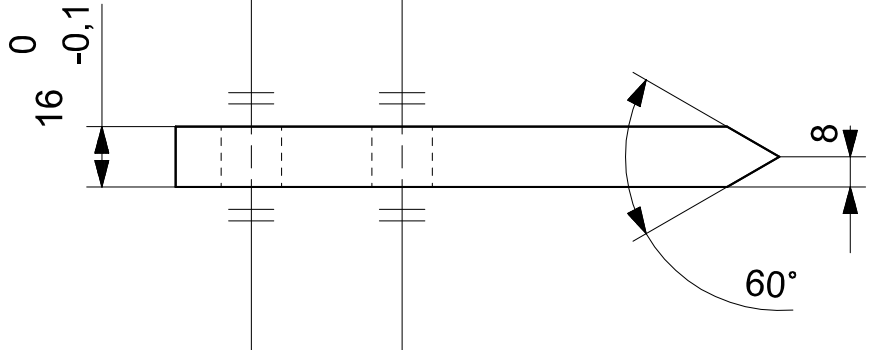
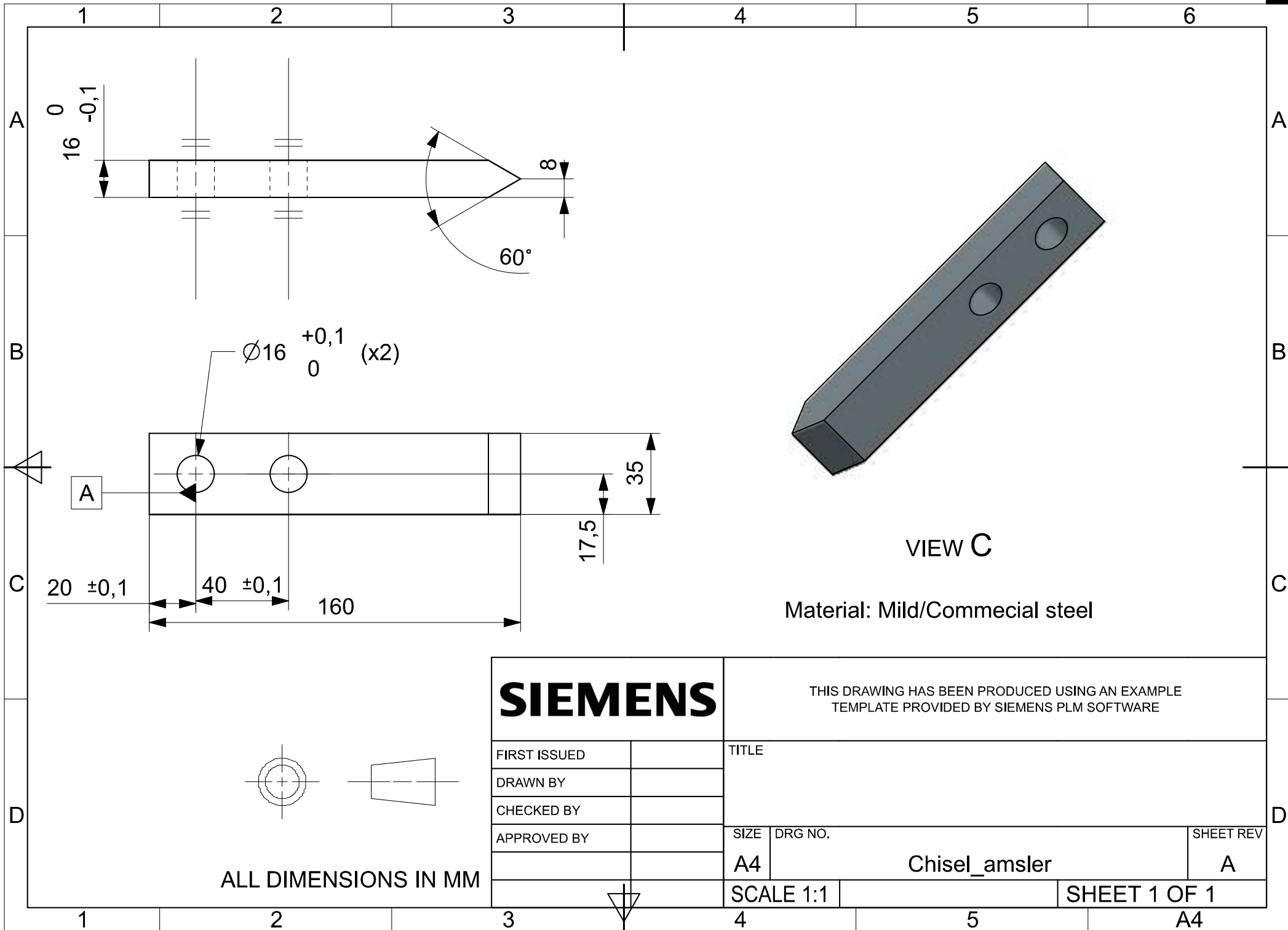
THIS DRAWING HAS BEEN PRODUCED USING AN EXAMPLE  
TEMPLATE PROVIDED BY SIEMENS PLM SOFTWARE

FIRST ISSUED	
DRAWN BY	
CHECKED BY	
APPROVED BY	

TITLE	
SIZE	DRG NO.
A4	Chisel_2inch
SHEET REV	
A	

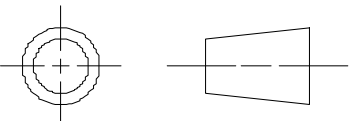
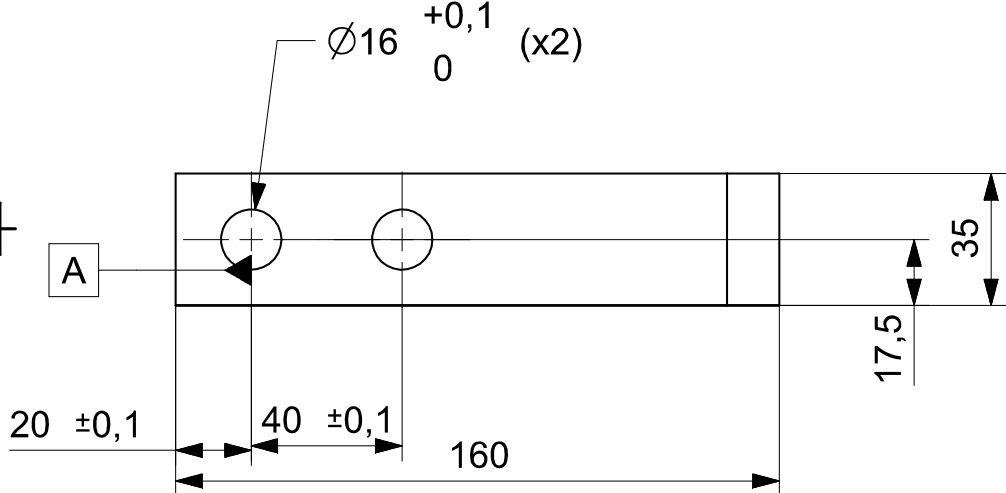
SCALE 1:1 SHEET 1 OF 1

1 2 3 4 5 6 A4



VIEW C

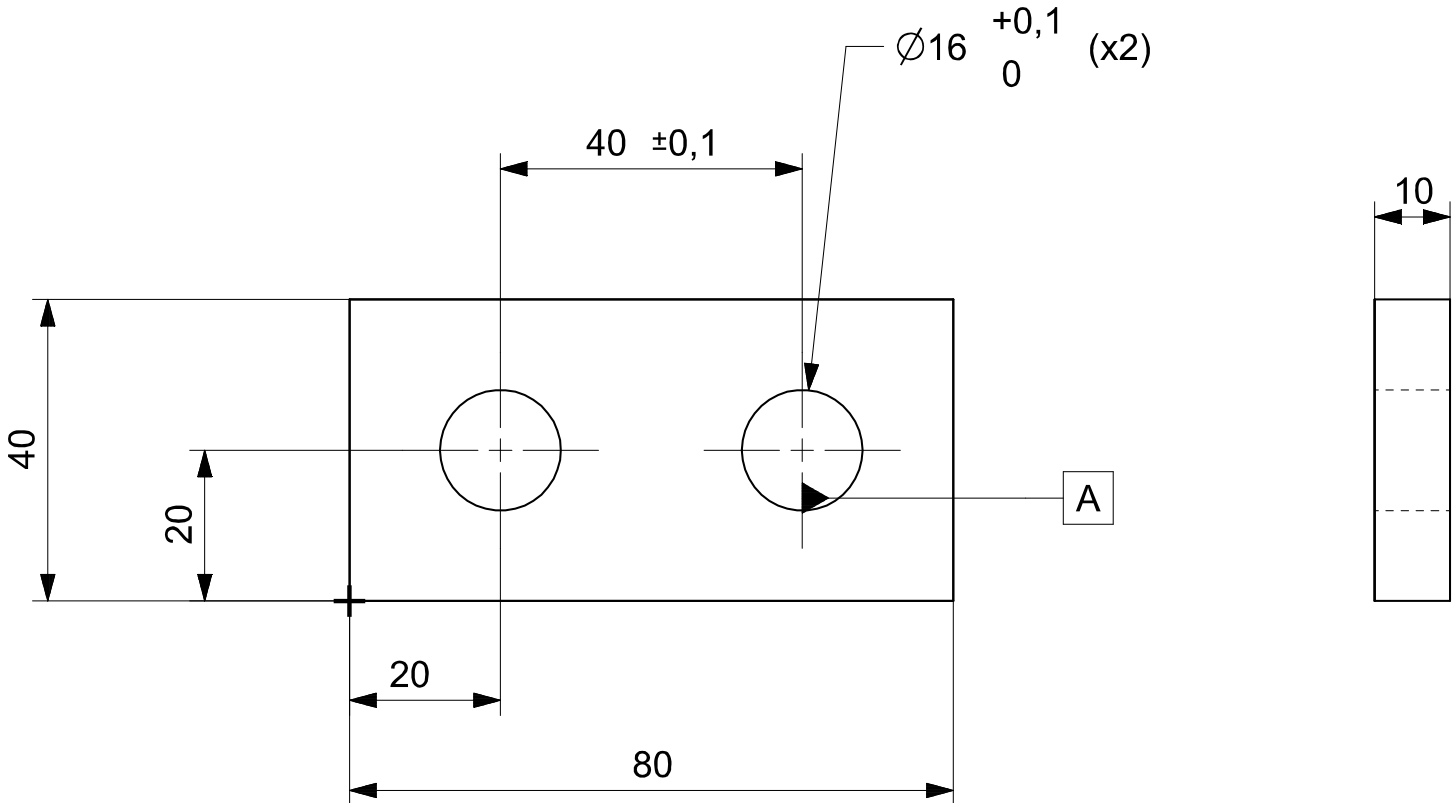
Material: Mild/Commercial steel



ALL DIMENSIONS IN MM

<b>SIEMENS</b>		THIS DRAWING HAS BEEN PRODUCED USING AN EXAMPLE TEMPLATE PROVIDED BY SIEMENS PLM SOFTWARE		
FIRST ISSUED		TITLE		
DRAWN BY				
CHECKED BY				
APPROVED BY		SIZE	DRG NO.	SHEET REV
		A4	Chisel_amsler	A
		SCALE 1:1	SHEET 1 OF 1	
			A4	

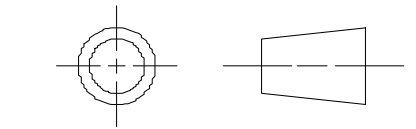




Material: Mild/Commercial steel

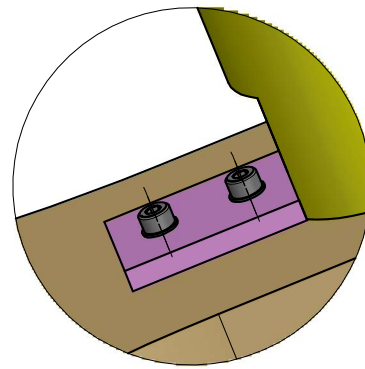
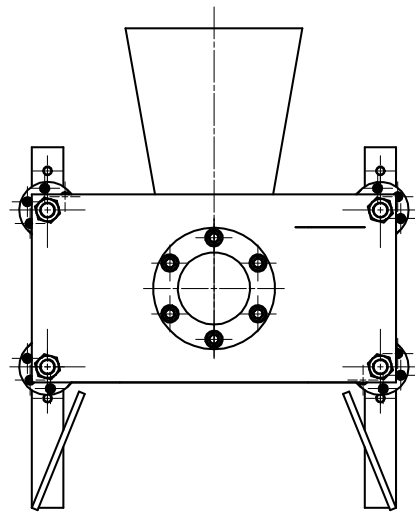
**SIEMENS**

THIS DRAWING HAS BEEN PRODUCED USING AN EXAMPLE  
TEMPLATE PROVIDED BY SIEMENS PLM SOFTWARE

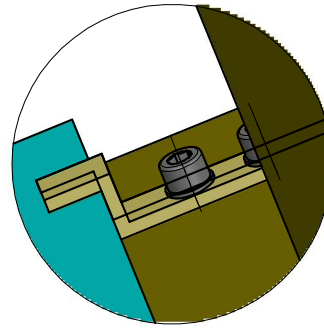


ALL DIMENSIONS IN MM

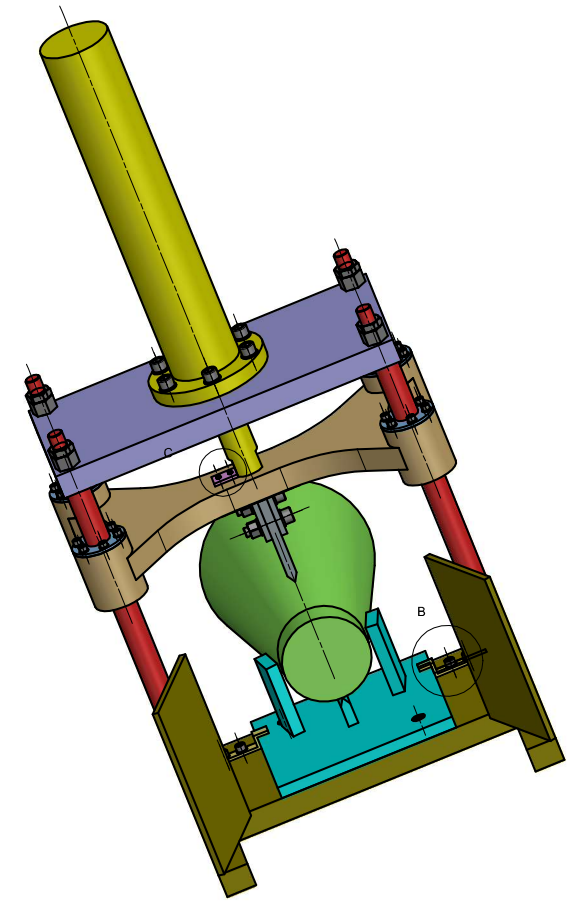
FIRST ISSUED		TITLE	
DRAWN BY		SIZE	
CHECKED BY		DRG NO.	
APPROVED BY		SHEET REV	
		A4	Chisel_brackets
		SCALE 1:1	SHEET 1 OF 1
			A4



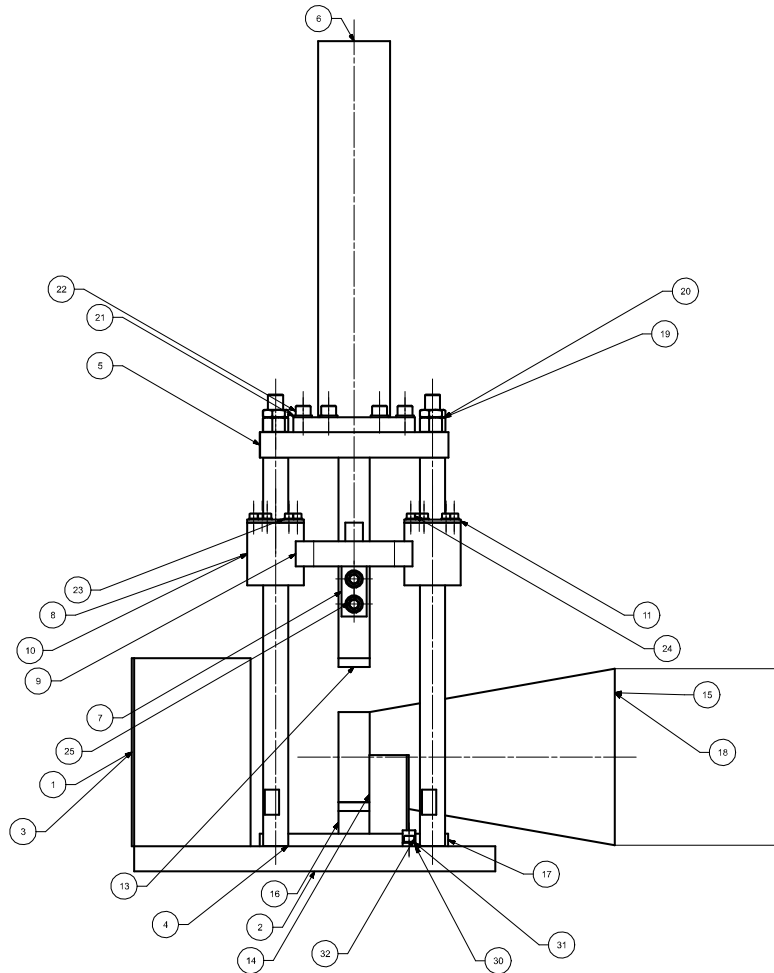
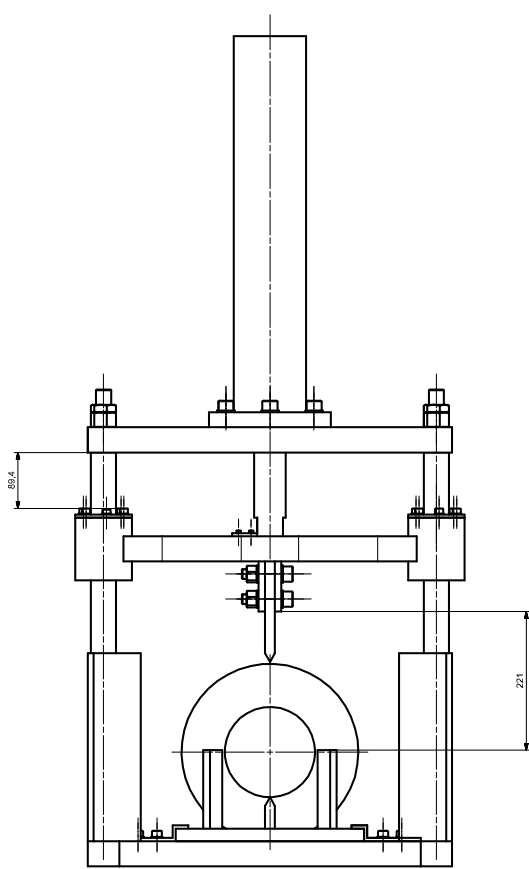
DETAIL C  
SCALE 5:2



DETAIL B  
SCALE 3:2



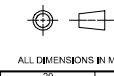
VIEW A

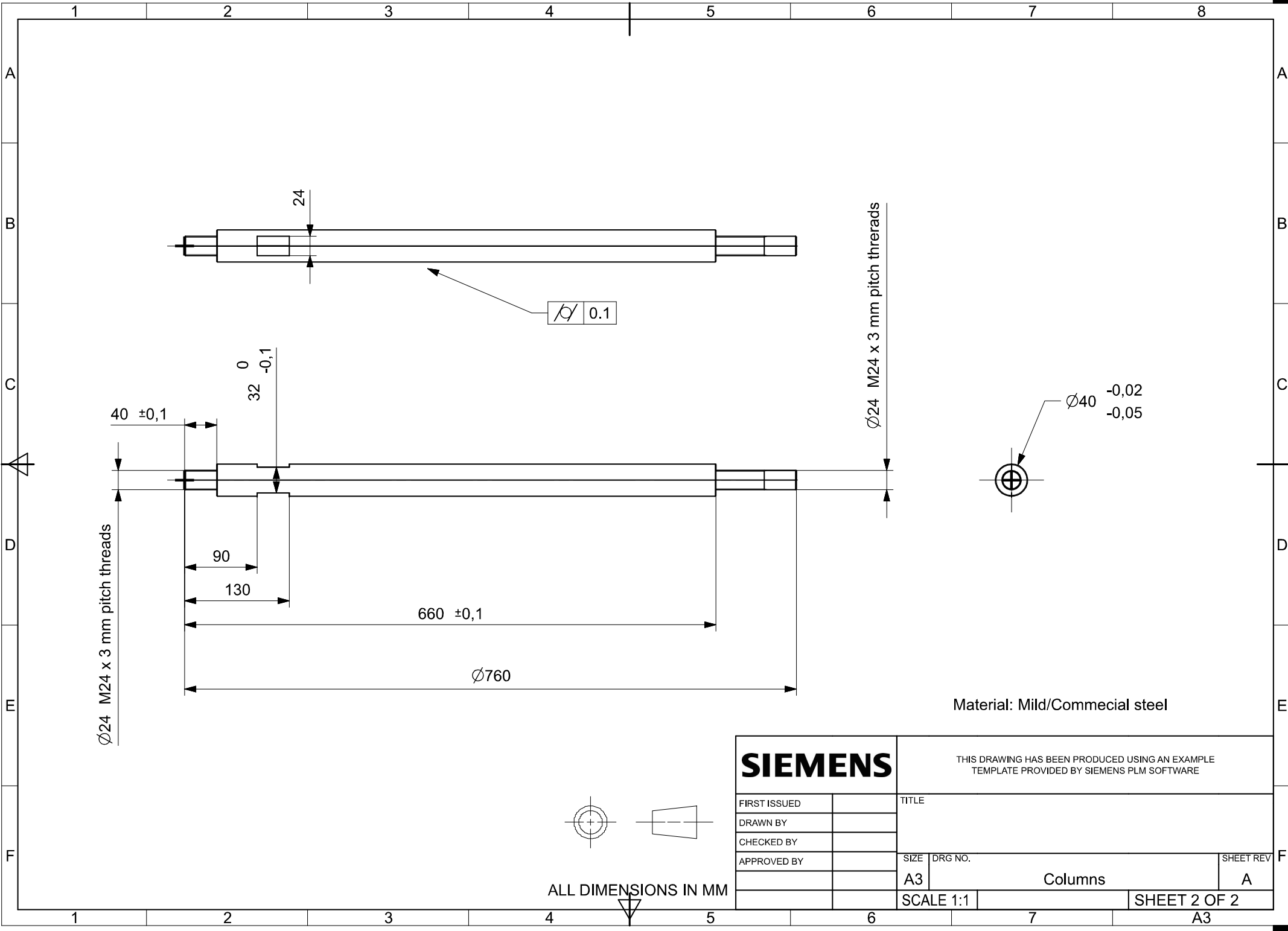


The rope socket is for illustration purposes only

32	HEX SOCKET HEAD CAP SCREW, ISO, M10X40	4
31	PLAIN WASHER, SMALL, GRADE A, ISO, M10	4
30	HOLDING BLOCK BRACKET	2
28	HEX SOCKET HEAD CAP SCREW, ISO, M10X50	2
28	HEX SOCKET HEAD CAP SCREW, ISO, M4X20	2
27	PLAIN WASHER, SMALL, GRADE A, ISO, M4	2
26	HEX NUT, 2B, ISO, M16	2
25	HEX SOCKET HEAD CAP SCREW, ISO, M16X65	2
24	HEX SOCKET HEAD CAP SCREW, ISO, M8X45	24
23	PLAIN WASHER, SMALL, GRADE A, ISO, M8	24
22	HEX SOCKET HEAD CAP SCREW, ISO, M16X60	6
21	PLAIN WASHER, SMALL, GRADE A, ISO, M16	10
20	HEX THIN NUT, CHAMFERED, ISO, M24X3	4
19	HEX NUT, 2B, ISO, M24	4
18	HOLDING PLATE ASSEMBLY BIG HEAD	1
17	HOLDING BLOCK BASE PLATE	1
16	HOLDING BLOCK CHISEL, 30MM	1
15	BIG HEAD ROPE	1
14	BIG HEAD HOLDING PLATE BRACKET	2
13	CHISEL 2INCH	1
12	CYLINDER LOCKING PLATE	1
11	BUSH	4
10	SLIDING PLATE ASSEMBLY REV3	1
9	SLIDING PLATE	1
8	SLIDING BLOCK	4
7	CHISEL BRACKETS	2
6	CYLINDER	1
5	TOP PLATE	1
4	COLUMNS	4
3	BASE PLATE ASSEMBLY	1
2	BASE PLATE	1
1	FUNNEL PLATE	2
PC NO	PART NAME	QTY

SIEMENS		THIS DRAWING HAS BEEN PRODUCED USING AN EXAMPLE TEMPLATE PROVIDED BY SIEMENS TLM SOFTWARE	
DATE		DATE	
DRAWN BY		DESIGNED BY	
APPROVED BY		DATE	
		SCALE	1:1
		SHEET	1 OF 1





Ø24 M24 x 3 mm pitch threads

Ø24 M24 x 3 mm pitch threads

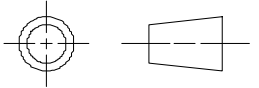
Material: Mild/Commercial steel

0.1

Ø40 -0,02  
-0,05

<b>SIEMENS</b>		THIS DRAWING HAS BEEN PRODUCED USING AN EXAMPLE TEMPLATE PROVIDED BY SIEMENS PLM SOFTWARE	
FIRST ISSUED		TITLE	
DRAWN BY			
CHECKED BY			
APPROVED BY		SIZE	DRG NO.
		A3	Columns
		SCALE 1:1	SHEET 2 OF 2
			A

ALL DIMENSIONS IN MM

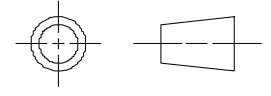
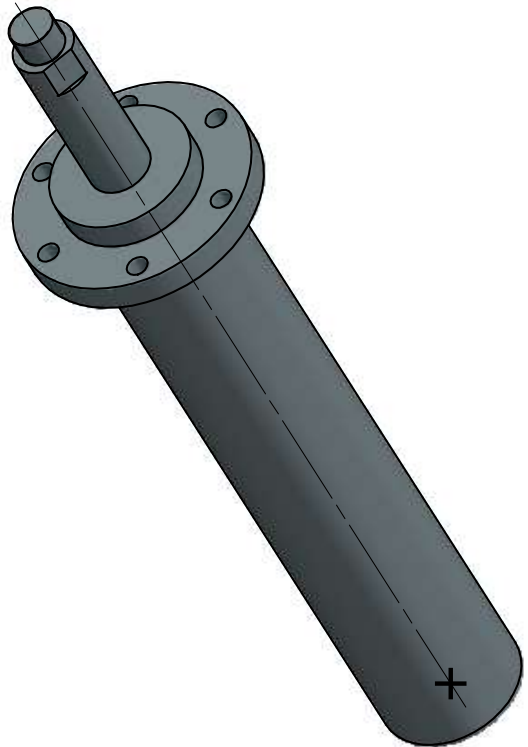
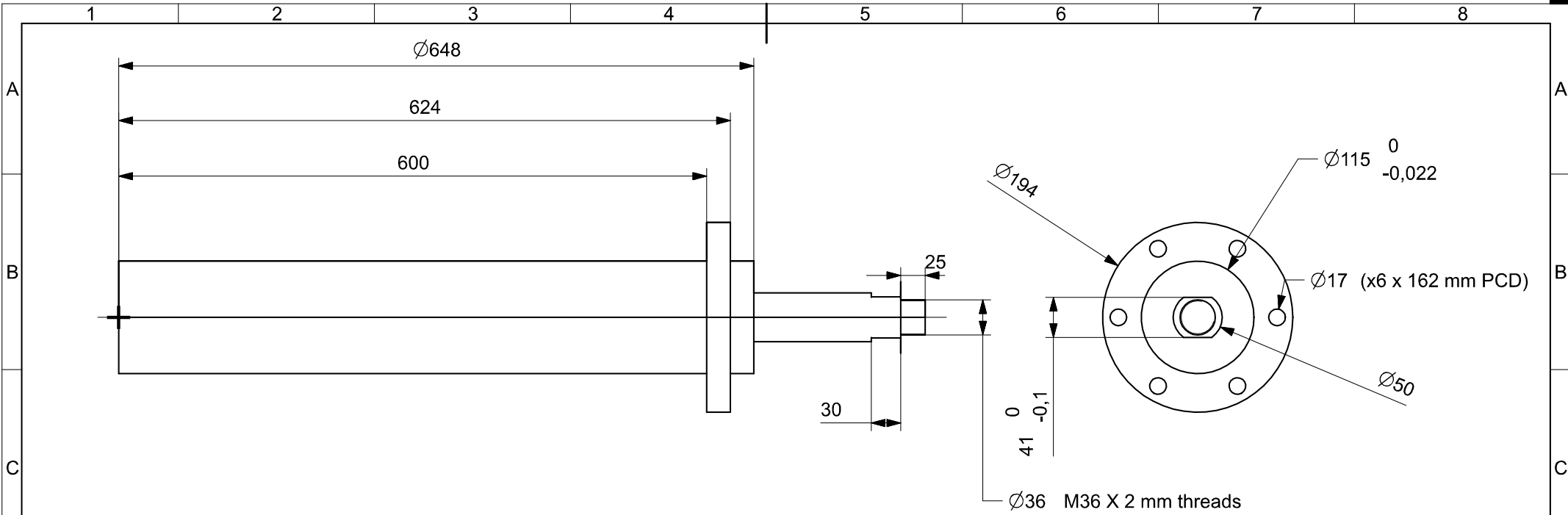


1 2 3 4 5 6 7 8

A  
B  
C  
D  
E  
F

A  
B  
C  
D  
E  
F

1 2 3 4 5 6 7 8 A3



ALL DIMENSIONS IN MM

VIEW B

<b>SIEMENS</b>		THIS DRAWING HAS BEEN PRODUCED USING AN EXAMPLE TEMPLATE PROVIDED BY SIEMENS PLM SOFTWARE	
FIRST ISSUED		TITLE	
DRAWN BY			
CHECKED BY			
APPROVED BY		SIZE	DRG NO.
		A3	cylinder
		SCALE 1:1	SHEET 1 OF 1
			A

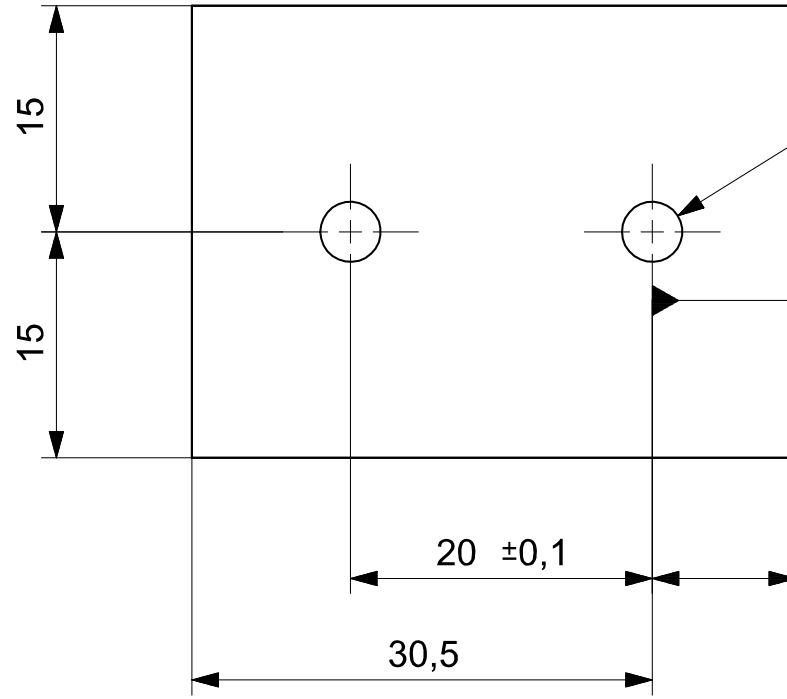
1 2 3 4 5 6

A A

B B

C C

D D



Ø4 (x2)

A

0.1

5

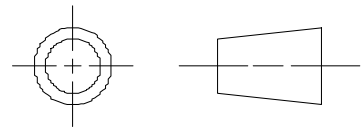
20 ±0,1

9,5  
0  
-0,1

30,5

15

15



ALL DIMENSIONS IN MM

**SIEMENS**

THIS DRAWING HAS BEEN PRODUCED USING AN EXAMPLE  
TEMPLATE PROVIDED BY SIEMENS PLM SOFTWARE

FIRST ISSUED	
DRAWN BY	
CHECKED BY	
APPROVED BY	

TITLE		
SIZE	DRG NO.	SHEET REV
A4	Cylinder_locking_plate	A

SCALE 1:1 SHEET 1 OF 1

1 2 3 4 5 6 A4

1 2 3 4 5 6

A

A

B

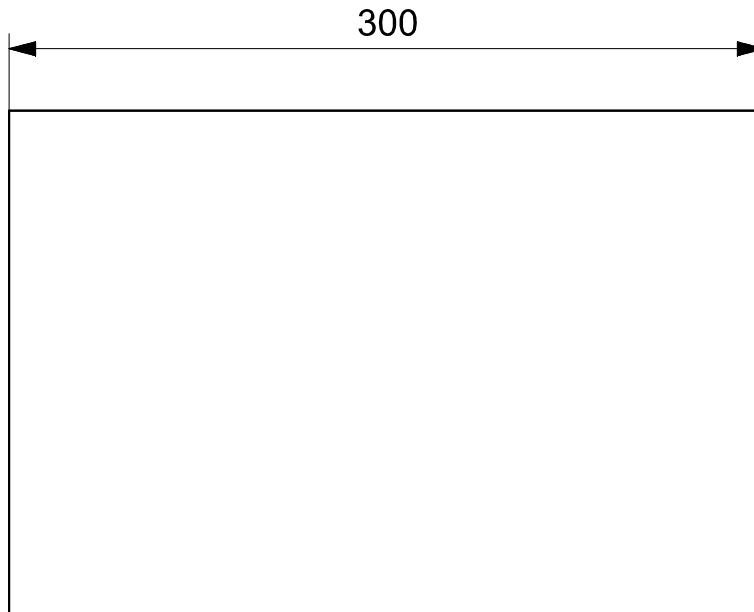
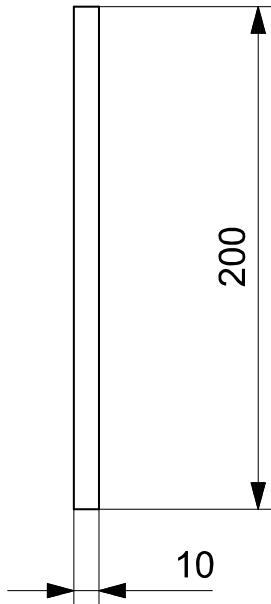
B


C

C

D

D



 0.1

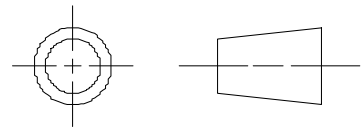
Material: Mild/Commercial steel

**SIEMENS**

THIS DRAWING HAS BEEN PRODUCED USING AN EXAMPLE  
TEMPLATE PROVIDED BY SIEMENS PLM SOFTWARE

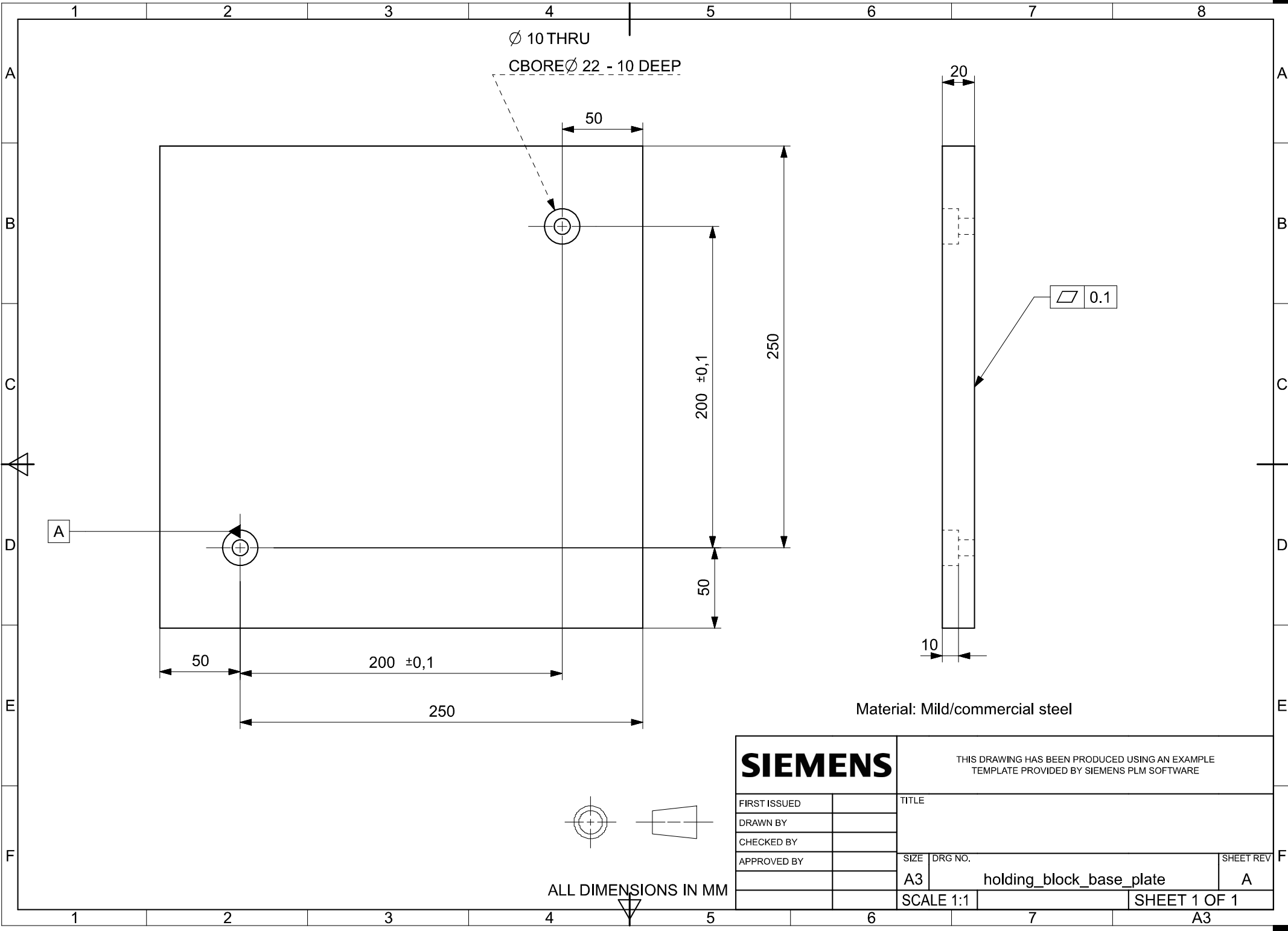
FIRST ISSUED	
DRAWN BY	
CHECKED BY	
APPROVED BY	

TITLE		
SIZE	DRG NO.	SHEET REV
A4	Funnel_plate	A
SCALE 1:1	SHEET 1 OF 1	



ALL DIMENSIONS IN MM

1 2 3 4 5 6



Ø 10 THRU  
CBORE Ø 22 - 10 DEEP

50

20

200 ±0,1

250

50

50

200 ±0,1

250

10

0.1

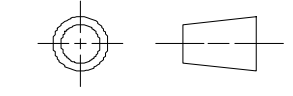
Material: Mild/commercial steel

**SIEMENS**

THIS DRAWING HAS BEEN PRODUCED USING AN EXAMPLE  
TEMPLATE PROVIDED BY SIEMENS PLM SOFTWARE

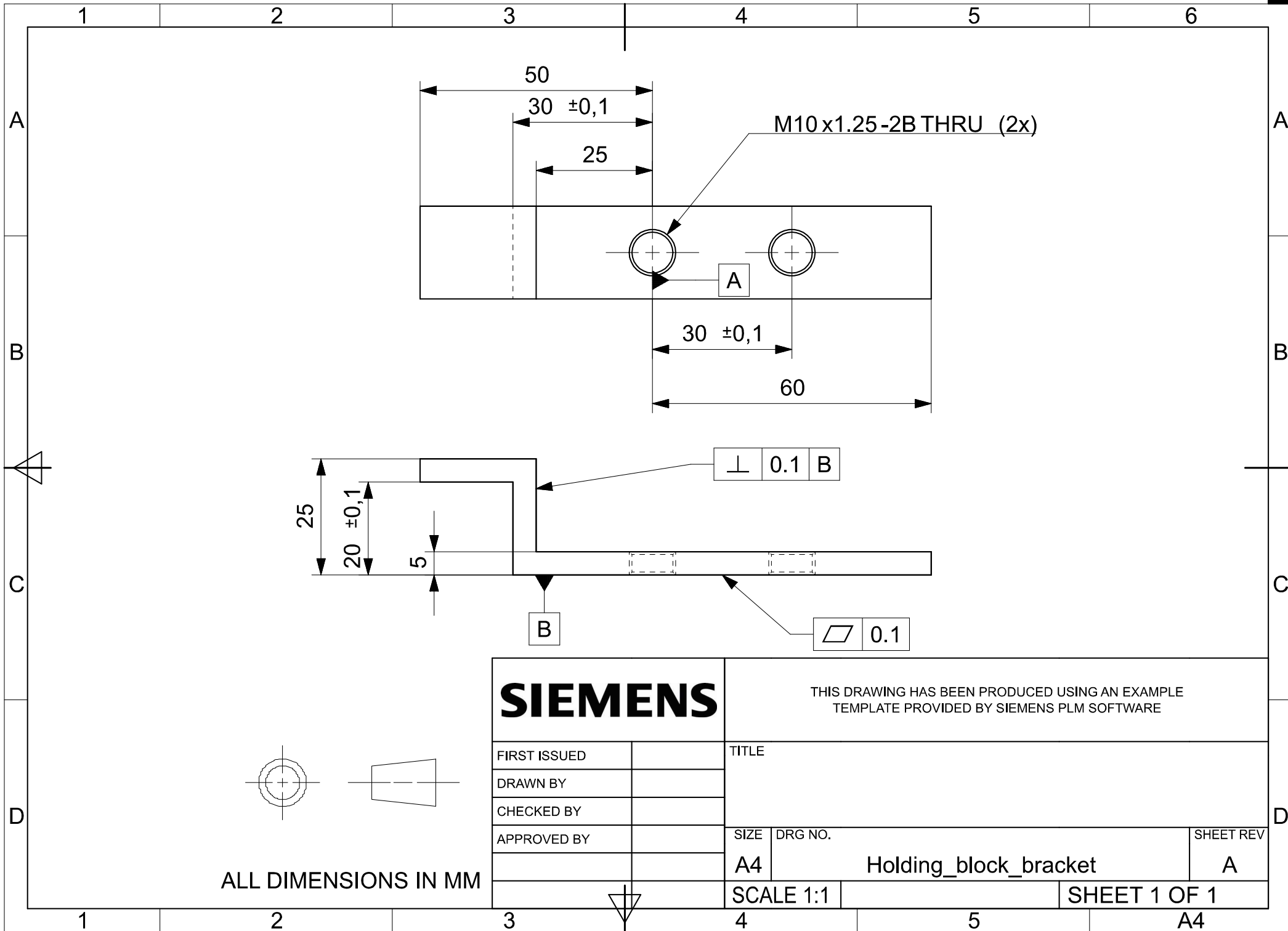
FIRST ISSUED	
DRAWN BY	
CHECKED BY	
APPROVED BY	

TITLE		
SIZE	DRG NO.	SHEET REV
A3	holding_block_base_plate	A
SCALE 1:1	SHEET 1 OF 1	

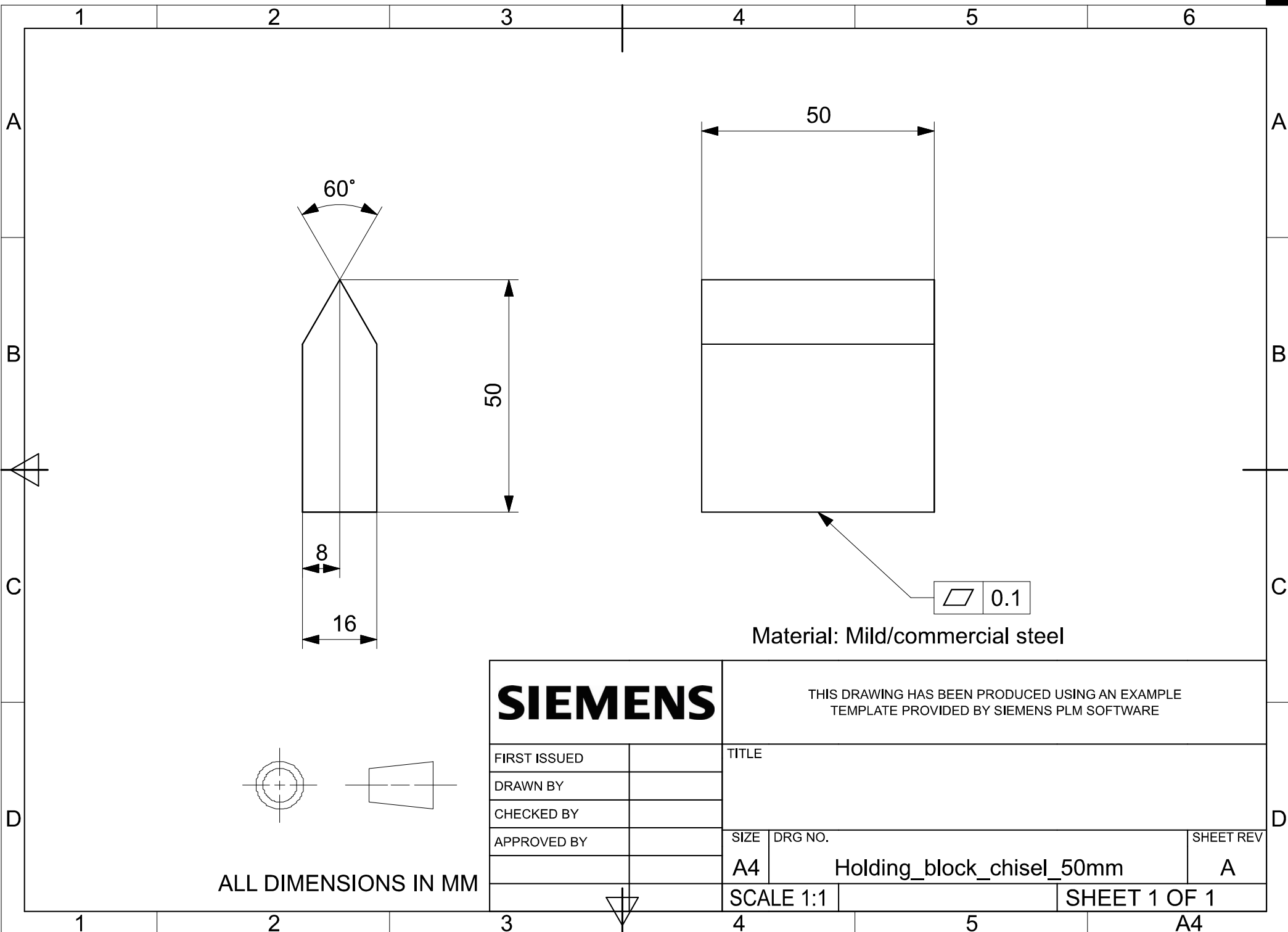


ALL DIMENSIONS IN MM

A3



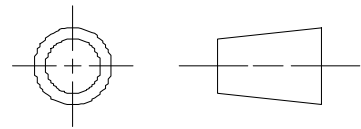


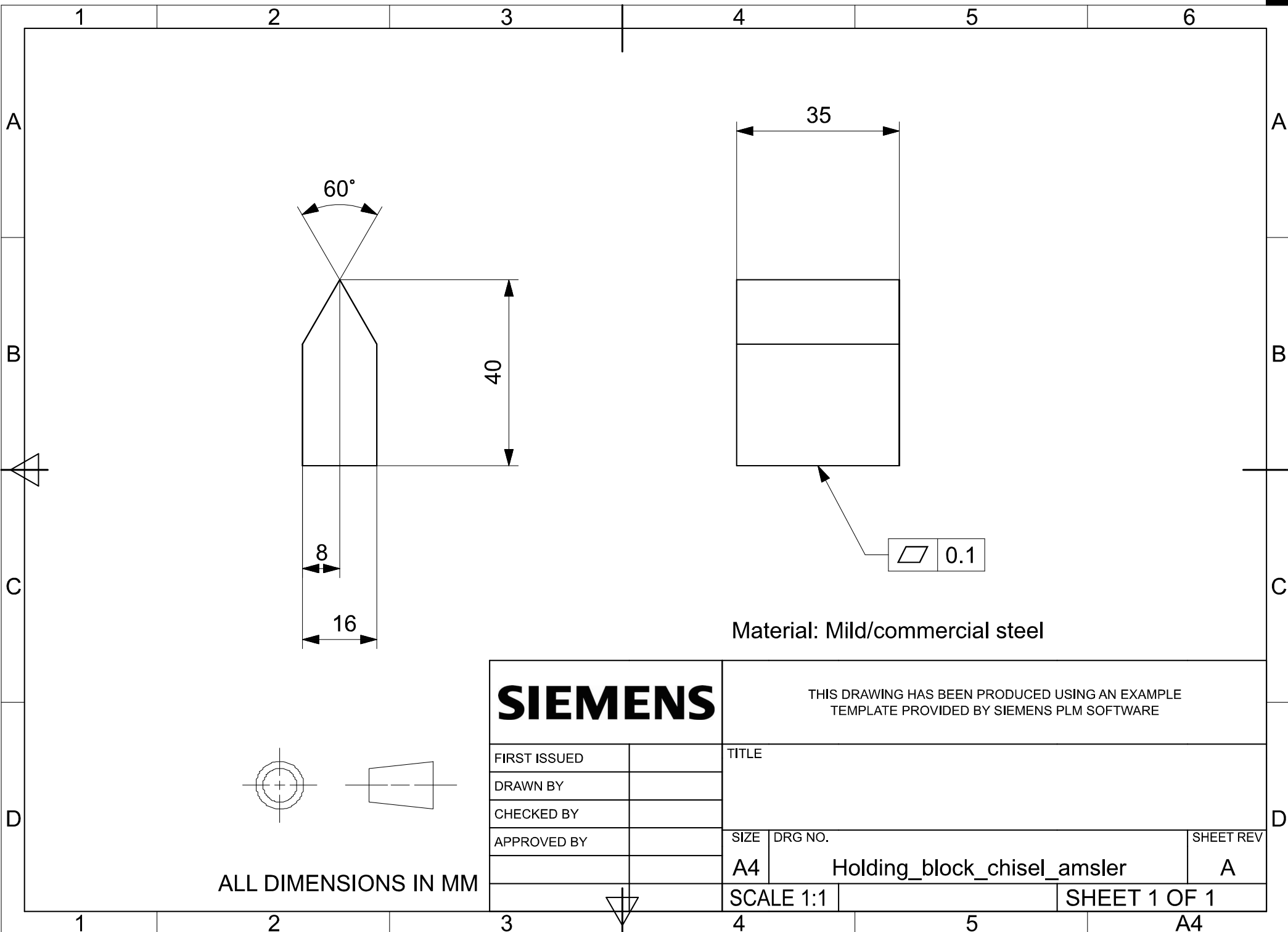


ALL DIMENSIONS IN MM

Material: Mild/commercial steel

<b>SIEMENS</b>		THIS DRAWING HAS BEEN PRODUCED USING AN EXAMPLE TEMPLATE PROVIDED BY SIEMENS PLM SOFTWARE		
FIRST ISSUED		TITLE		
DRAWN BY				
CHECKED BY				
APPROVED BY		SIZE	DRG NO.	SHEET REV
		A4	Holding_block_chisel_50mm	A
		SCALE 1:1		SHEET 1 OF 1

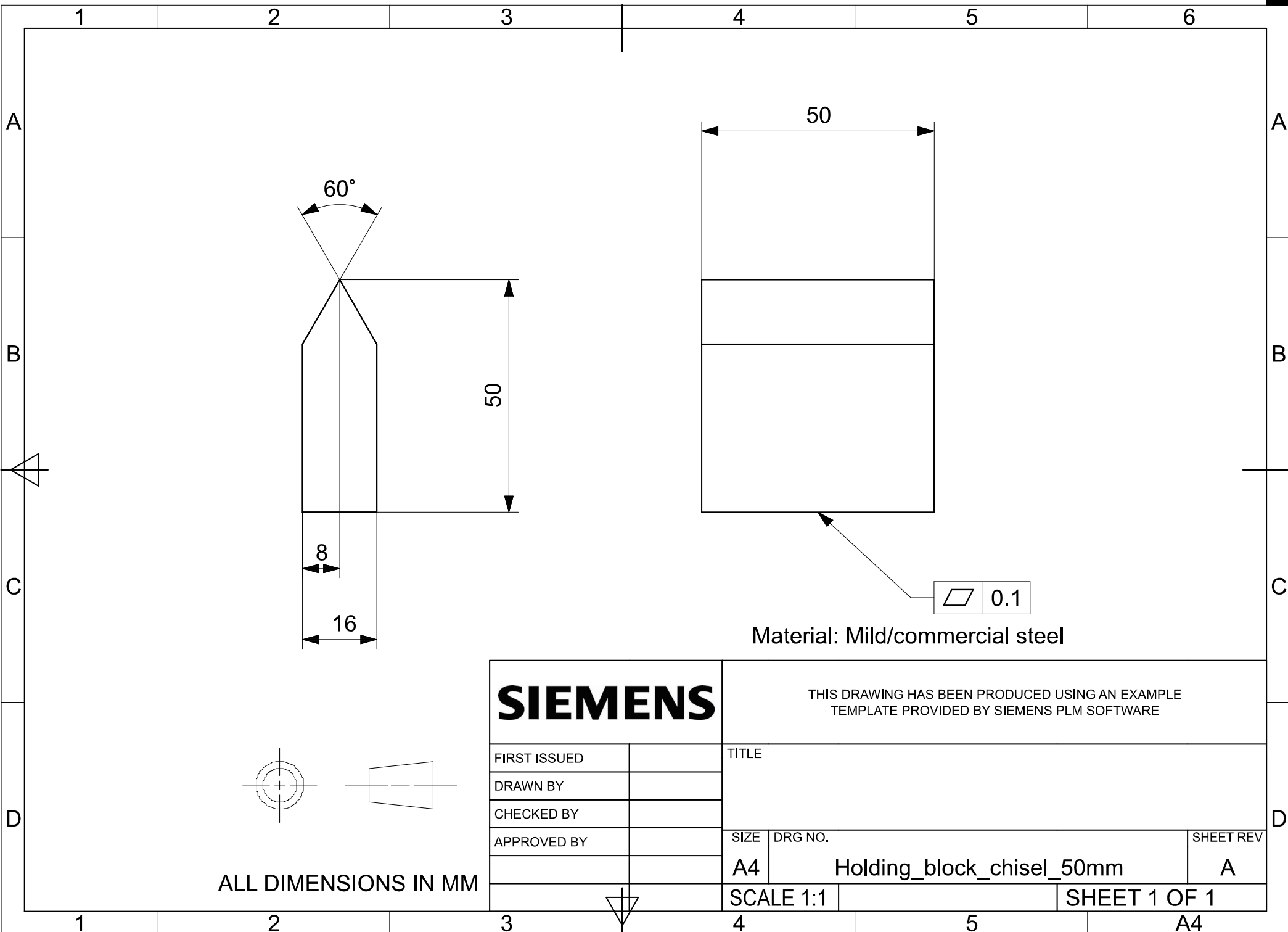




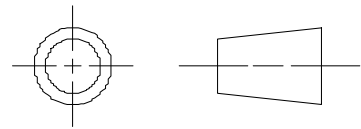
ALL DIMENSIONS IN MM

Material: Mild/commercial steel

<b>SIEMENS</b>		THIS DRAWING HAS BEEN PRODUCED USING AN EXAMPLE TEMPLATE PROVIDED BY SIEMENS PLM SOFTWARE		
FIRST ISSUED		TITLE		
DRAWN BY				
CHECKED BY				
APPROVED BY		SIZE	DRG NO.	SHEET REV
		A4	Holding_block_chisel_amsler	A
		SCALE 1:1		SHEET 1 OF 1
				A4



ALL DIMENSIONS IN MM



Material: Mild/commercial steel

0.1

<b>SIEMENS</b>		THIS DRAWING HAS BEEN PRODUCED USING AN EXAMPLE TEMPLATE PROVIDED BY SIEMENS PLM SOFTWARE		
FIRST ISSUED		TITLE		
DRAWN BY				
CHECKED BY				
APPROVED BY		SIZE	DRG NO.	SHEET REV
		A4	Holding_block_chisel_50mm	A
		SCALE 1:1		SHEET 1 OF 1

1 2 3 4 5 6

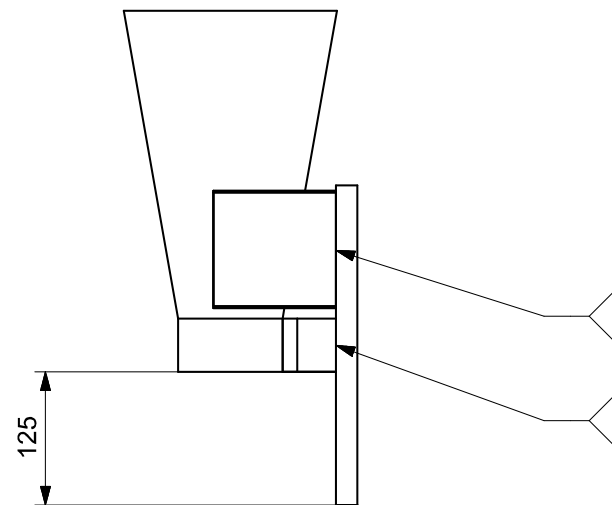
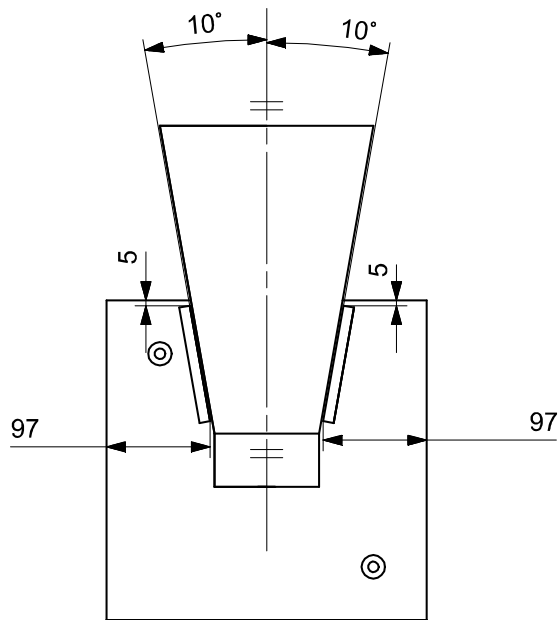
A A

B B

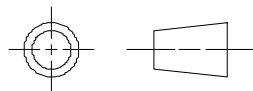
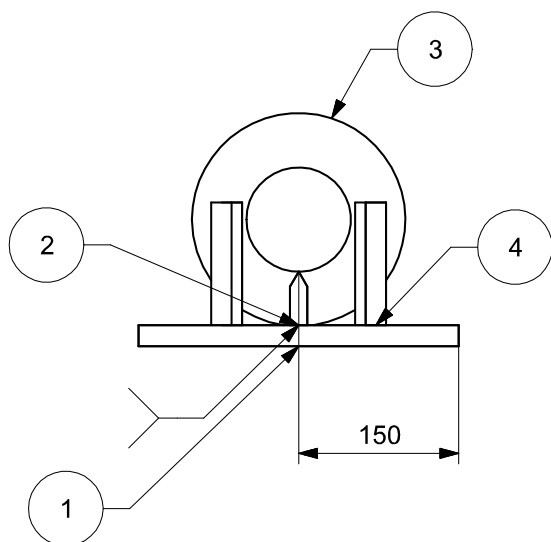
C C

D D

1 2 3 4 5 6 A4



The rope socket is for illustration purposes only

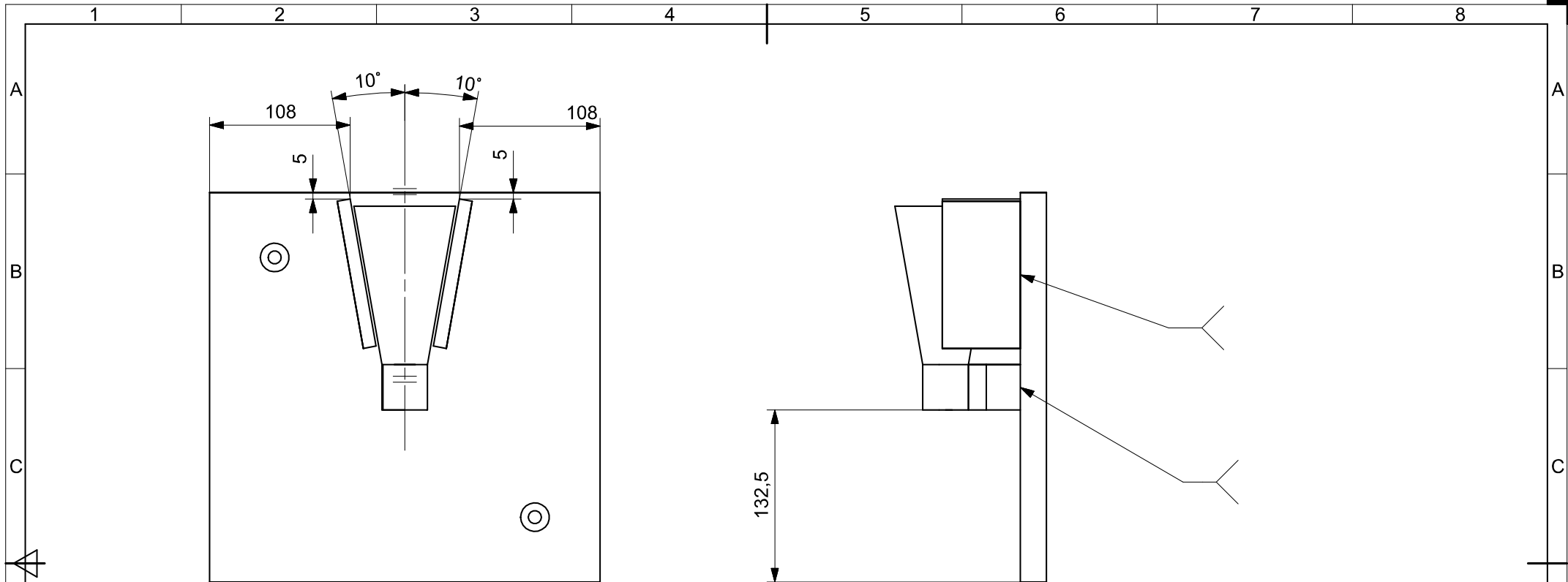


ALL DIMENSIONS IN MM

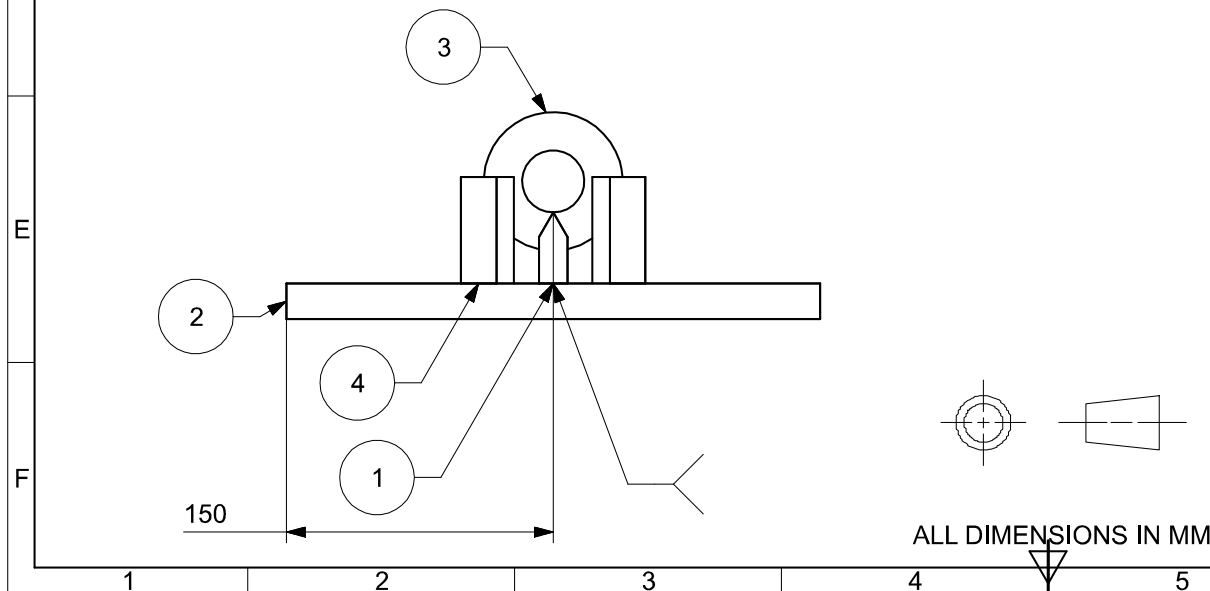
4	2INCH_HOLDING PLATE BRACKET	2
3	2INCH_ROPE	1
2	HOLDING_BLOCK_CHISEL_50MM	1
1	HOLDING_BLOCK_BASE_PLATE	1
PC NO	PART NAME	QTY

<b>SIEMENS</b>		THIS DRAWING HAS BEEN PRODUCED USING AN EXAMPLE TEMPLATE PROVIDED BY SIEMENS PLM SOFTWARE	
FIRST ISSUED		TITLE	
DRAWN BY			
CHECKED BY			
APPROVED BY		SIZE	DRG NO.
		A3	Holding_plate_assembly_2inch
		SCALE 1:1	SHEET 1 OF 1

A3



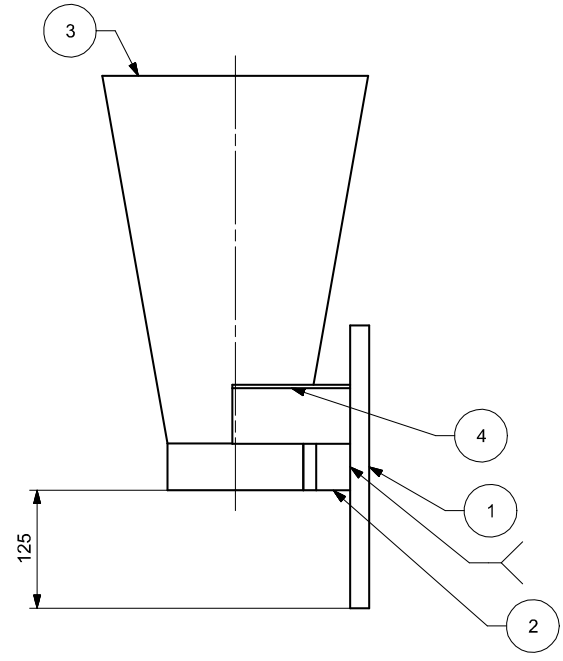
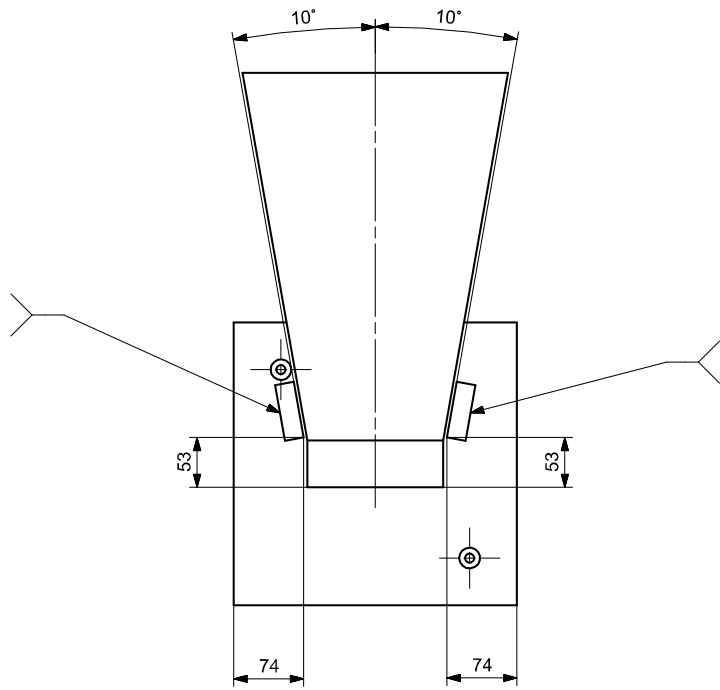
The rope socket is for illustration purposes only



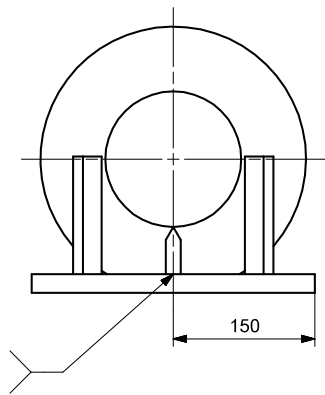
4	AMLER_HOLDING PLATE BRACKET	2
3	AMSLER_ROPE	1
2	HOLDING_BLOCK_BASE_PLATE	1
1	HOLDING_BLOCK_CHISEL_AMSLER	1
PC NO	PART NAME	QTY

<b>SIEMENS</b>		THIS DRAWING HAS BEEN PRODUCED USING AN EXAMPLE TEMPLATE PROVIDED BY SIEMENS PLM SOFTWARE	
FIRST ISSUED		TITLE	
DRAWN BY			
CHECKED BY			
APPROVED BY		SIZE	DRG NO.
		A3	Holding_plate_assembly_amsler
		SCALE 1:1	SHEET 1 OF 1

ALL DIMENSIONS IN MM

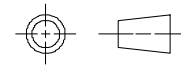


The rope socket is for illustration purposes only



4	BIG_HEAD_HOLDING_PLATE_BRACKET	2
3	BIG_HEAD_ROPE	1
2	HOLDING_BLOCK_CHISEL_50MM	1
1	HOLDING_BLOCK_BASE_PLATE	1
PC NO	PART NAME	QTY

<b>SIEMENS</b>		THIS DRAWING HAS BEEN PRODUCED USING AN EXAMPLE TEMPLATE PROVIDED BY SIEMENS PLM SOFTWARE	
FIRST ISSUED		TITLE	
DRAWN BY			
CHECKED BY			
APPROVED BY		SIZE	DRG NO.
		A2	Holding_plate_assembly_bighead
		SCALE 1:1	SHEET 1 OF 1
			A2

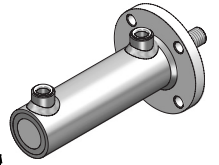
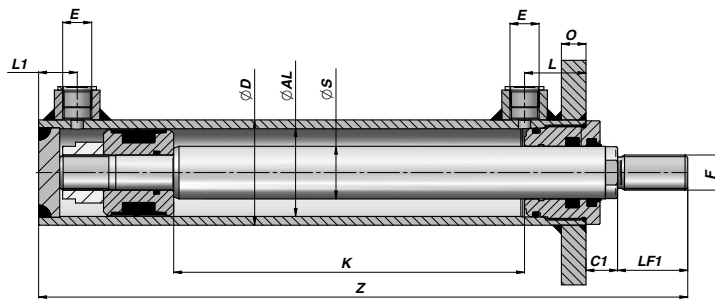
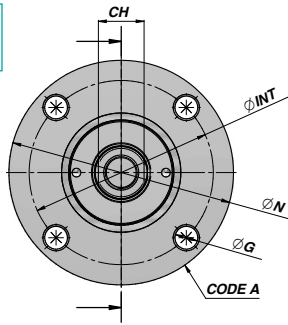


ALL DIMENSIONS IN MM

**CILINDRO DOPPIO EFFETTO**  
**DOUBLE ACTING CYLINDER**  
**DOPPELWIRKENDE ZYLINDER**

**HMF**

**M250**



Codice Code Bestell-Nr.	K	Z	kg	E BSP	L	L1	F	LF1	CH	C1	ØN	ØINT	ØG	O	Code A
<b>ØD 50 ØAL 40 ØS 20</b>															
HMF1200100	100	250	3,00												
HMF1200200	200	350	3,80												
HMF1200300	300	450	4,60	1/4"	32	25	M16x1,5	30	18	18	109	87	Ø 11 x 4	12	CFL0050109
HMF1200400	400	550	5,40												
HMF1200500	500	650	6,20												
<b>ØD 60 ØAL 50 ØS 30</b>															
HMF2300100	100	270	4,60												
HMF2300200	200	370	5,80												
HMF2300300	300	470	7,00	3/8"	35	25	M20x1,5	40	26	18	128	105	Ø 13 x 4	14	CFL0060128
HMF2300400	400	570	8,20												
HMF2300500	500	670	9,40												
<b>ØD 70 ØAL 60 ØS 35</b>															
HMF3350100	100	300	6,90												
HMF3350200	200	400	8,40												
HMF3350300	300	500	9,90	3/8"	40	30	M27x2	50	32	20	142	117	Ø 13 x 4	16	CFL0070142
HMF3350400	400	600	11,40												
HMF3350500	500	700	12,90												
<b>ØD 80 ØAL 70 ØS 40</b>															
HMF4400100	100	312	8,63												
HMF4400200	200	412	10,53												
HMF4400300	300	512	12,76	3/8"	40	30	M30x2	60	36	22	162	127	Ø 15 x 4	16	CFL0080162
HMF4400400	400	612	15,00												
HMF4400500	500	712	17,20												
<b>ØD 95 ØAL 80 ØS 50</b>															
HMF5500100	100	345	13,70												
HMF5500200	200	445	16,80												
HMF5500300	300	545	19,90	1/2"	50	40	M36x2	70	45	25	181	149	Ø 17 x 6	18	CFL0095181
HMF5500400	400	645	23,00												
HMF5500500	500	745	26,10												
<b>ØD 115 ØAL 100 ØS 50</b>															
HMF6500100	100	375	20,20												
HMF6500200	200	475	25,80												
HMF6500300	300	575	27,20	1/2"	70	40	M36x2	70	45	27	194	162	Ø 17 x 6	24	CFL0115194
HMF6500400	400	675	30,80												
HMF6500500	500	775	34,40												

use this one

MATERIALE - MATERIAL:

TUBO - TUBE - ROHR: ACCIAIO - STEEL - STAHL St 52.3 DIN 2393 ISO H9

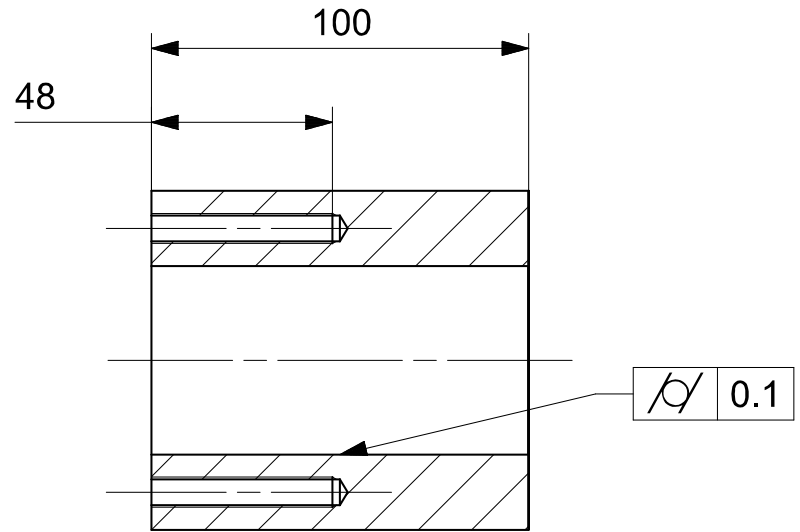
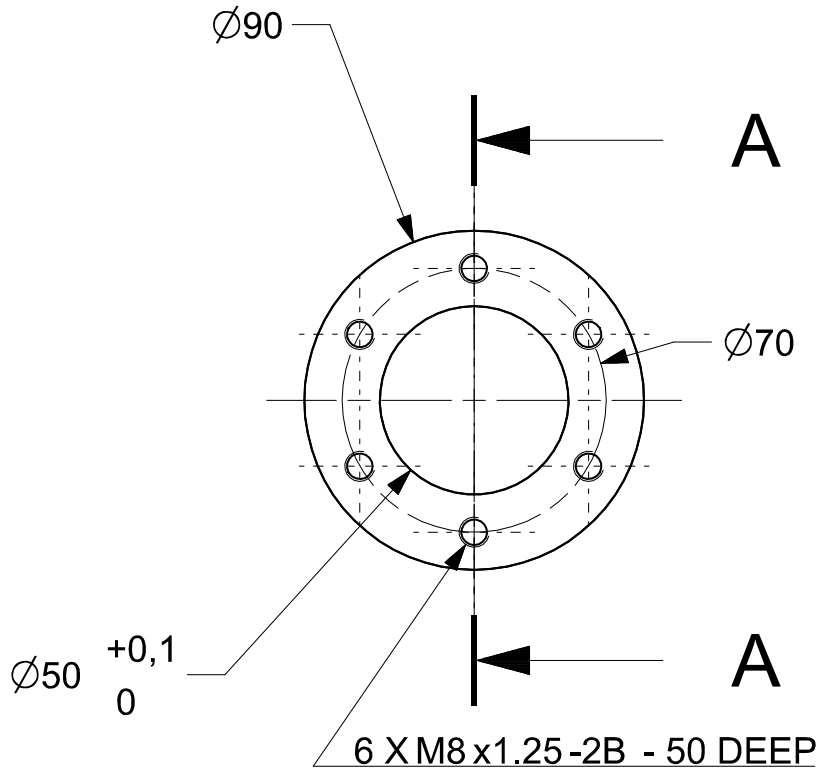
STELO - ROD - KOLBENSTANGE:

ACCIAIO - STEEL - STAHL UNI C45 SAE 1045 - CROMO - CHROME - CHROM: 25 MICRON ±5 Rating 9/120 h ISO 10289 - 1999/ISO 9227-NSS

1 2 3 4 5 6

A  
B  
C  
D

A  
B  
C  
D



SECTION A-A

Material: Mild/commercial steel

**SIEMENS**

THIS DRAWING HAS BEEN PRODUCED USING AN EXAMPLE  
TEMPLATE PROVIDED BY SIEMENS PLM SOFTWARE

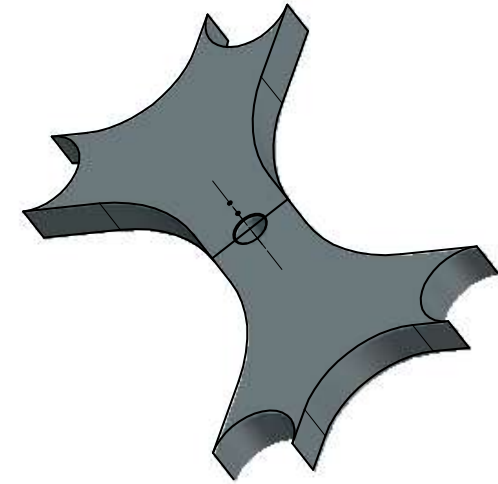
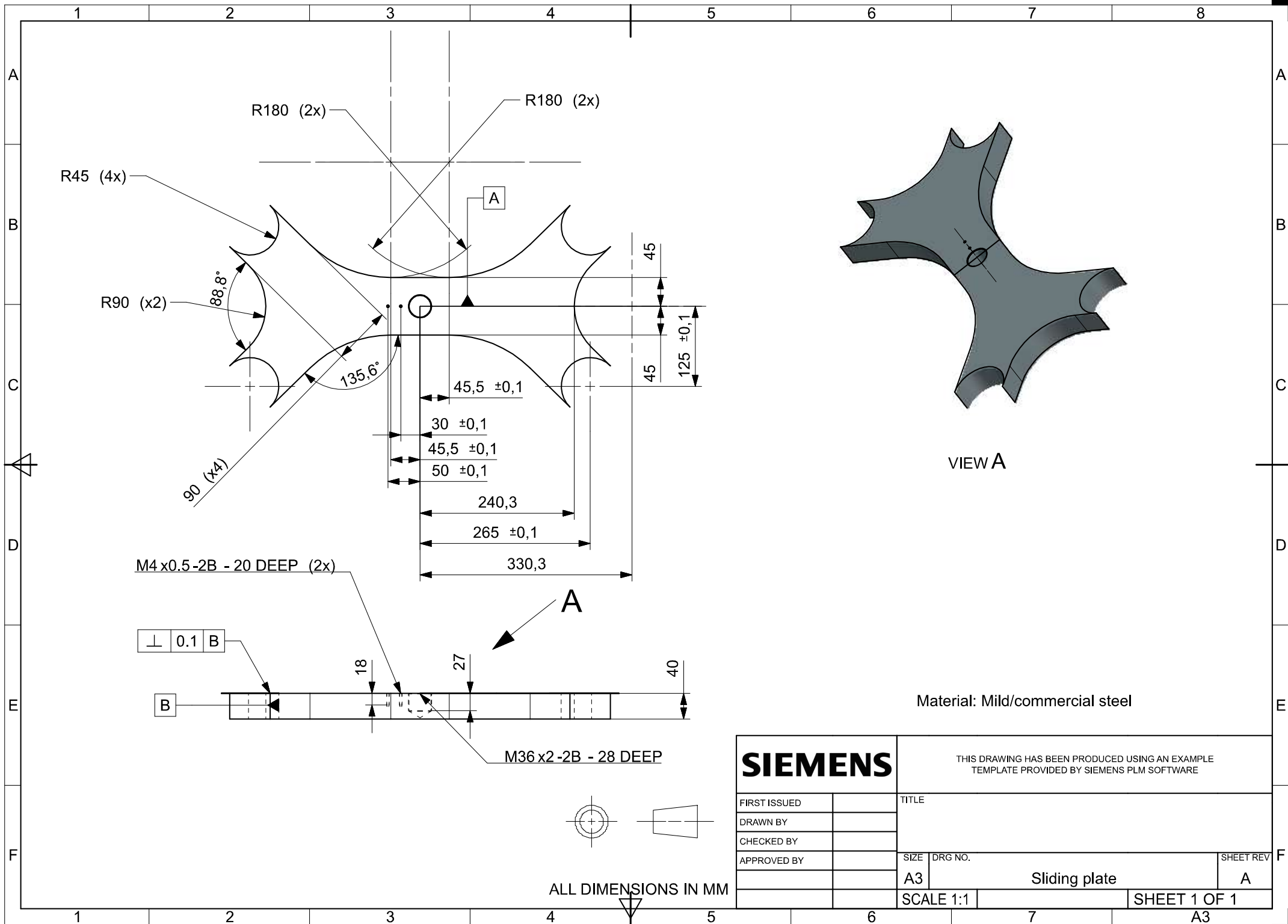
FIRST ISSUED		TITLE
DRAWN BY		
CHECKED BY		
APPROVED BY		

SIZE	DRG NO.	SHEET REV
A4	Sliding_block	A
SCALE 1:1	SHEET 1 OF 1	

ALL DIMENSIONS IN MM

1 2 3 4 5 6 A4

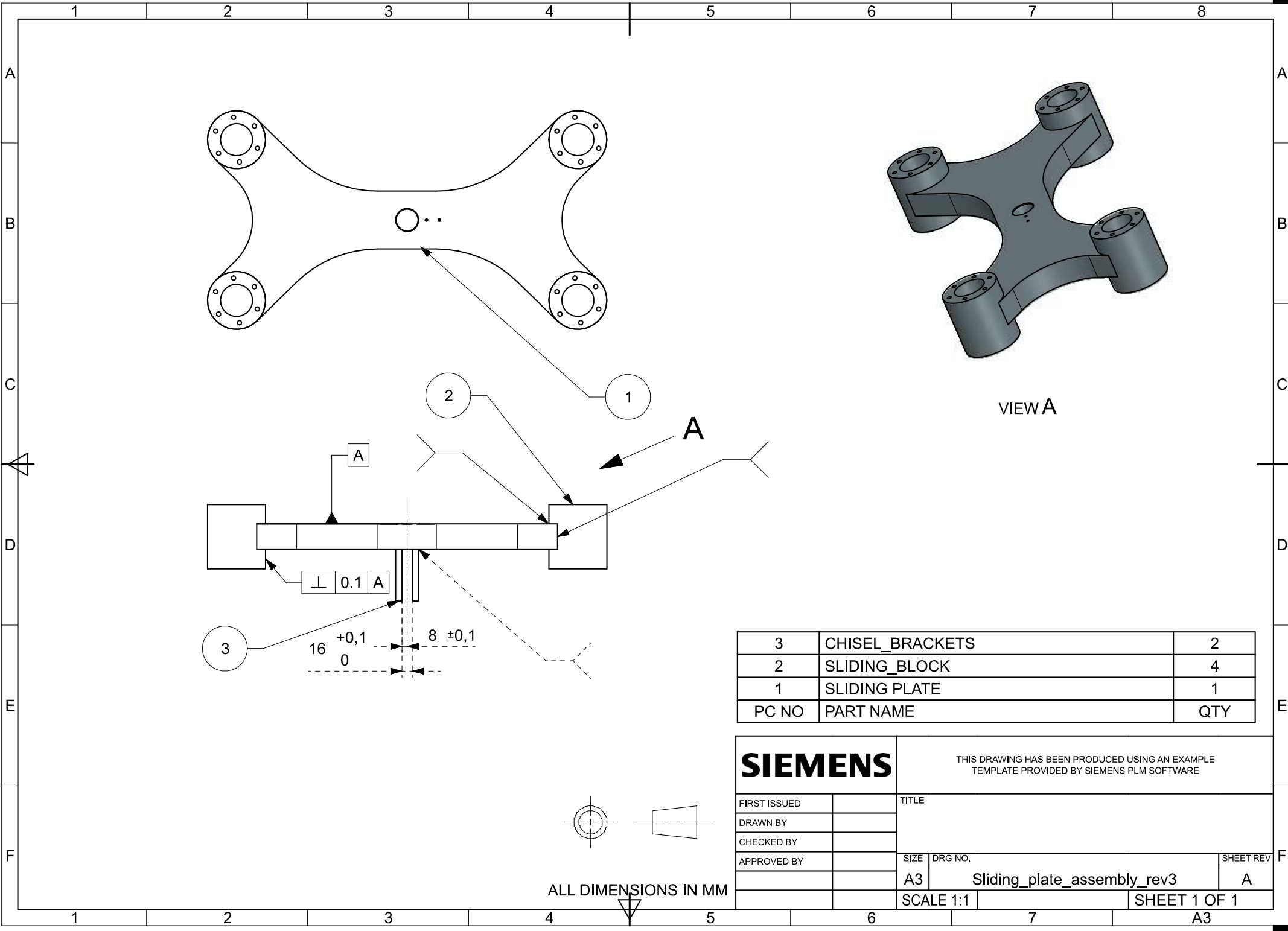




VIEW A

Material: Mild/commercial steel

<b>SIEMENS</b>		THIS DRAWING HAS BEEN PRODUCED USING AN EXAMPLE TEMPLATE PROVIDED BY SIEMENS PLM SOFTWARE		
FIRST ISSUED		TITLE		
DRAWN BY				
CHECKED BY				
APPROVED BY		SIZE	DRG NO.	SHEET REV
		A3	Sliding plate	A
		SCALE 1:1	SHEET 1 OF 1	

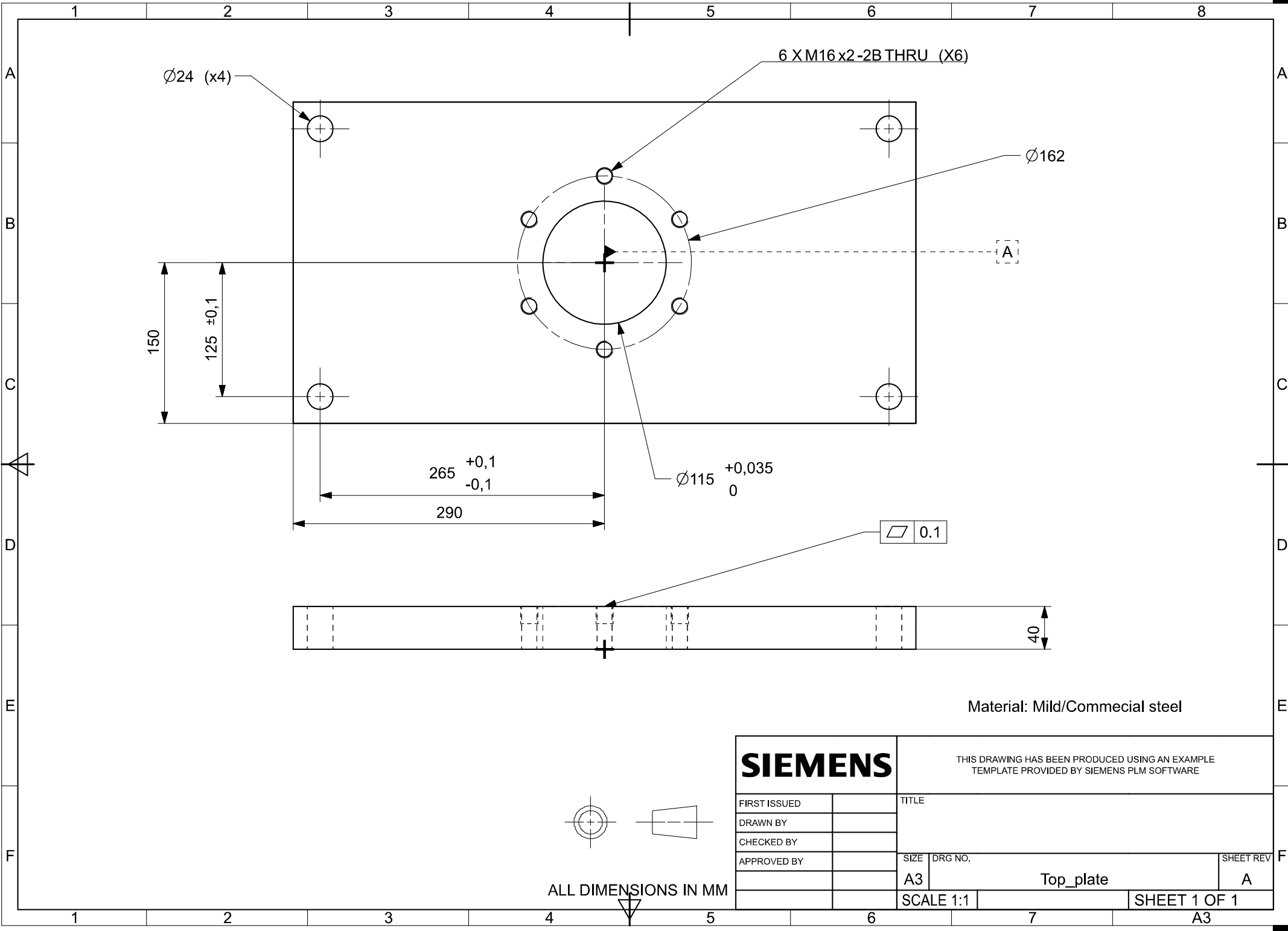


VIEW A

3	CHISEL_BRACKETS	2
2	SLIDING_BLOCK	4
1	SLIDING_PLATE	1
PC NO	PART NAME	QTY

<b>SIEMENS</b>		THIS DRAWING HAS BEEN PRODUCED USING AN EXAMPLE TEMPLATE PROVIDED BY SIEMENS PLM SOFTWARE	
FIRST ISSUED		TITLE	
DRAWN BY			
CHECKED BY			
APPROVED BY		SIZE	DRG NO.
		A3	Sliding_plate_assembly_rev3
		SCALE 1:1	SHEET 1 OF 1
			A3

ALL DIMENSIONS IN MM



Ø24 (x4)

6 X M16x2-2B THRU (X6)

Ø162

150  
125 ±0,1

265 +0,1  
-0,1  
290

Ø115 +0,035  
0

0.1

40

Material: Mild/Commercial steel

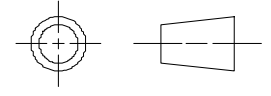
**SIEMENS**

THIS DRAWING HAS BEEN PRODUCED USING AN EXAMPLE  
TEMPLATE PROVIDED BY SIEMENS PLM SOFTWARE

FIRST ISSUED	
DRAWN BY	
CHECKED BY	
APPROVED BY	

TITLE	
SIZE	DRG NO.
A3	Top_plate
SCALE 1:1	SHEET 1 OF 1
SHEET REV	
A	

ALL DIMENSIONS IN MM



1 2 3 4 5 6 7 8

A  
B  
C  
D  
E  
F

A  
B  
C  
D  
E  
F

1 2 3 4 5 6 7 8 A3