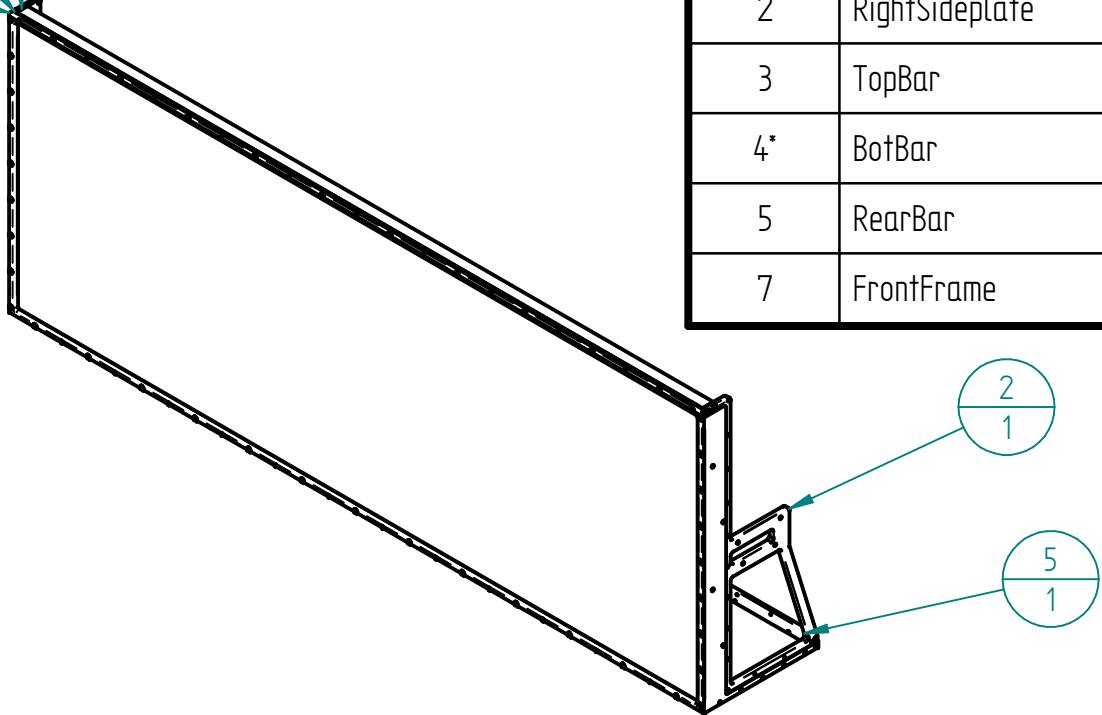
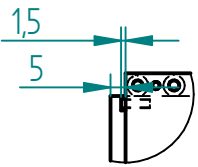


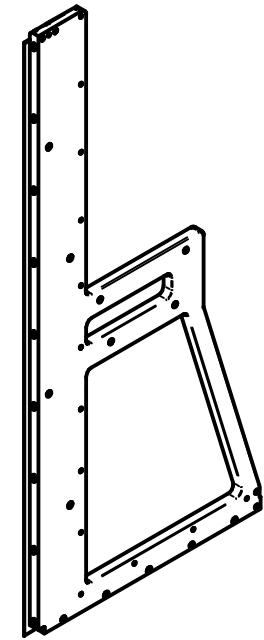
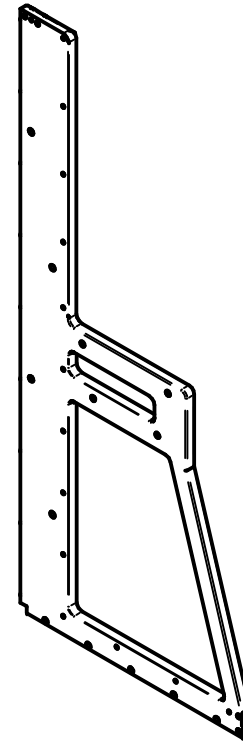
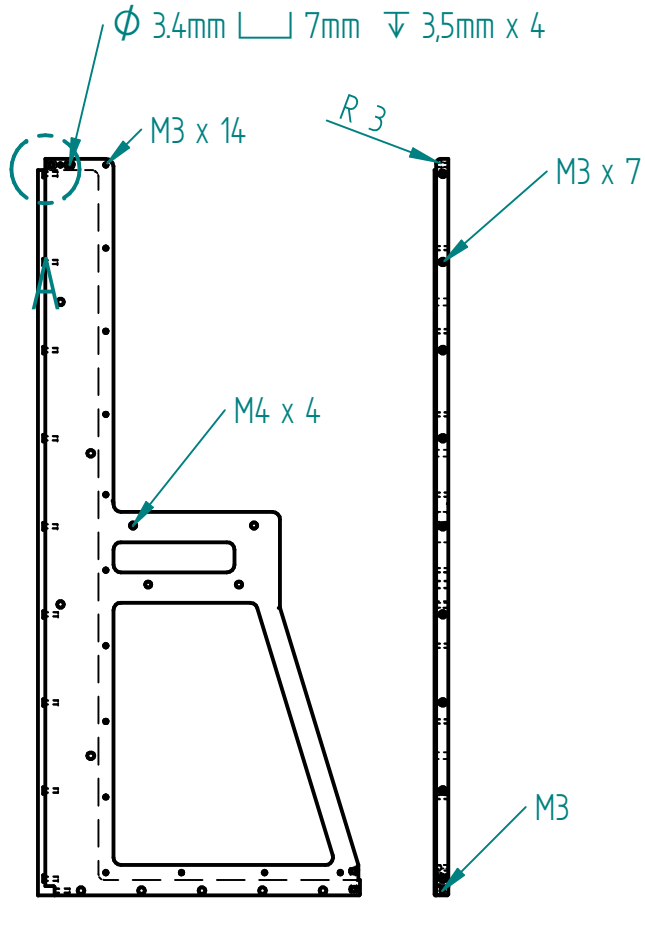
Item Number	File Name (no extension)	Author	Quantity
1	LeftSideplate	CvZyl	1
2	RightSideplate	CvZyl	1
3	TopBar	CvZyl	1
4*	BotBar	CvZyl	1
5	RearBar	CvZyl	1
7	FrontFrame	CvZyl	1



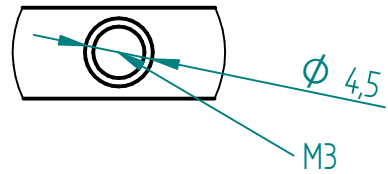
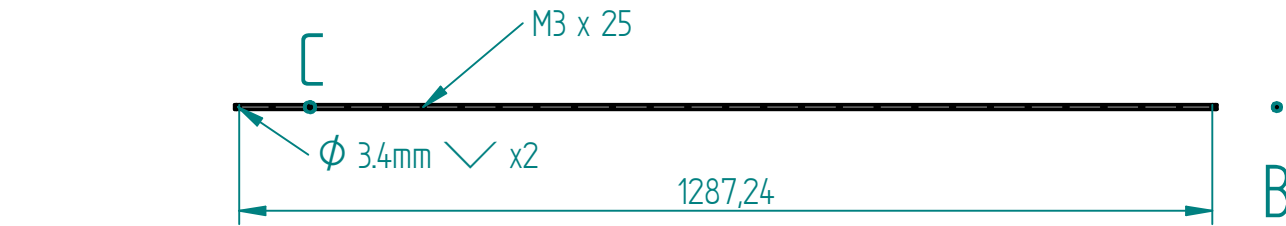
	NAME	DATE	CSIR DPSS		
DRAWN	CvZyl	03/13/19			
CHECKED			TITLE GSCR Bezel		
ENG APPR					
MGR APPR			SIZE A4	DWG NO	REV
UNLESS OTHERWISE SPECIFIED DIMENSIONS ARE IN MILLIMETERS ANGLES ±X.X° 2 PL ±X.XX 3 PL ±X.XXX			FILE NAME: GSCR Bezel.dft		
			SCALE:	WEIGHT:	SHEET 1 OF 5



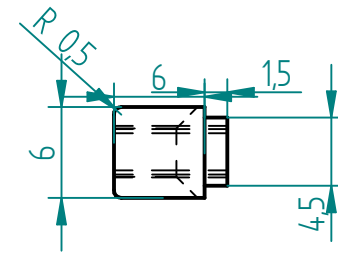
DETAIL A



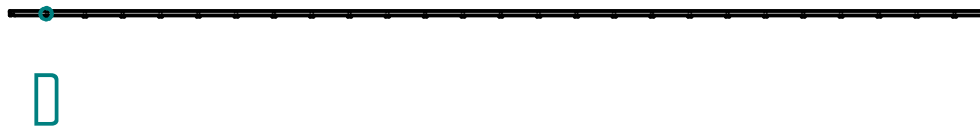
	NAME	DATE	CSIR DPSS		
DRAWN	CvZyl	03/13/19			
CHECKED			TITLE Left & Right side plates		
ENG APPR					
MGR APPR			SIZE	DWG NO	REV
UNLESS OTHERWISE SPECIFIED DIMENSIONS ARE IN MILLIMETERS ANGLES ±X.X° 2 PL ±X.XX 3 PL ±X.XXX			A4		
			FILE NAME: GSCR Bezel.dft		
			SCALE:	WEIGHT:	SHEET 2 OF 5



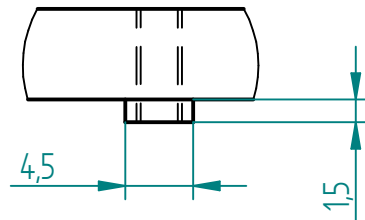
DETAIL C



DETAIL B

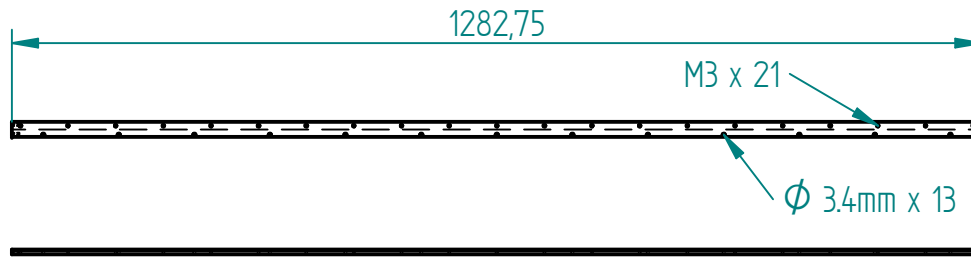


D

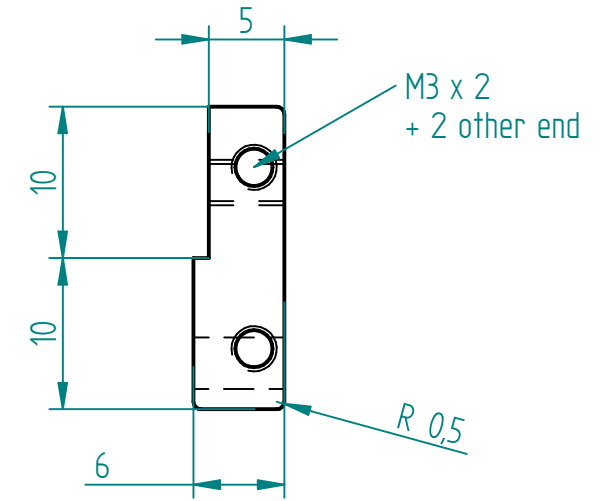


DETAIL D

		NAME	DATE	CSIR DPSS		
DRAWN		CvZyl	03/13/19			TITLE Top Bar
CHECKED						
ENG APPR						
MGR APPR						
UNLESS OTHERWISE SPECIFIED DIMENSIONS ARE IN MILLIMETERS ANGLES ±X.X° 2 PL ±X.XX 3 PL ±X.XXX				SIZE A4	DWG NO	REV
				FILE NAME: GSCR Bezel.dft		
				SCALE:	WEIGHT:	SHEET 3 OF 5

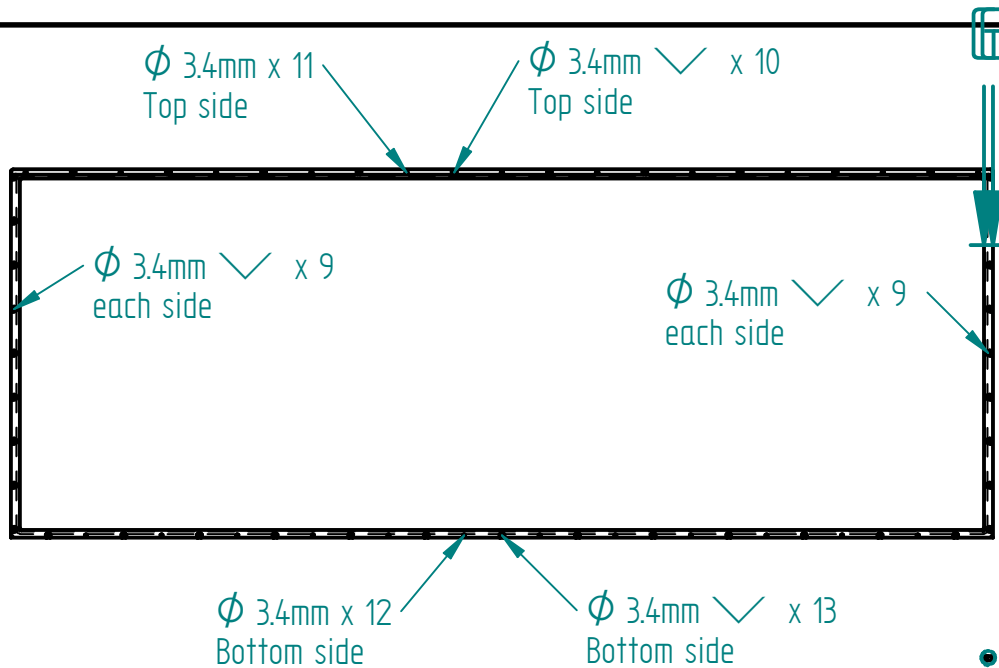


●
E

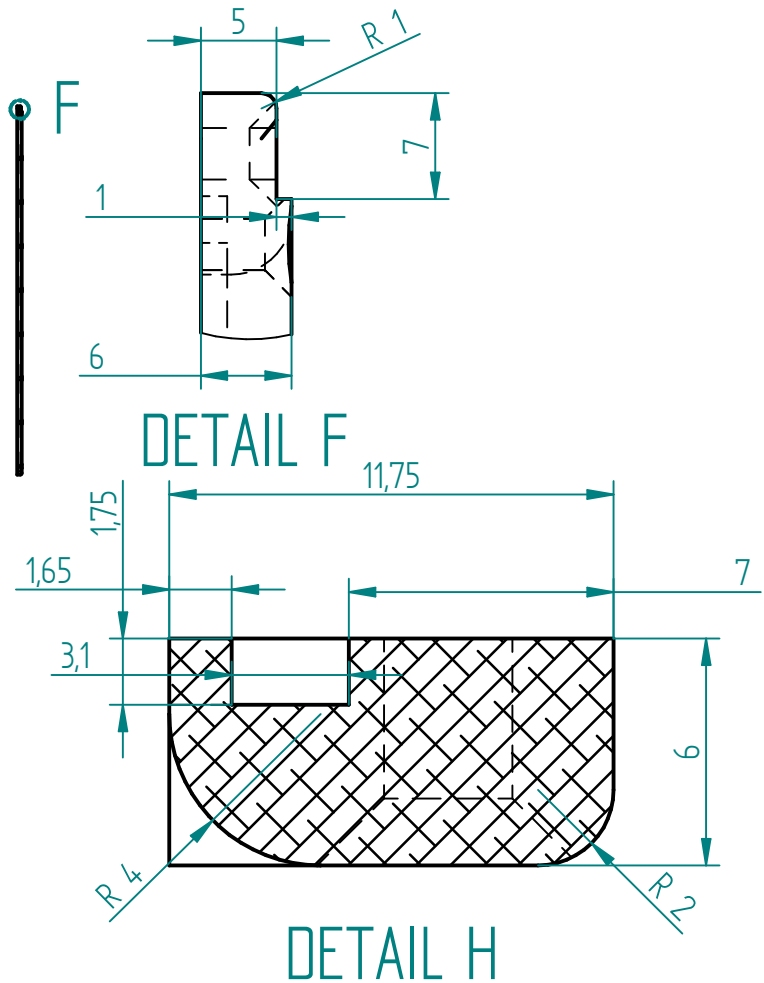


DETAIL E

	NAME	DATE	CSIR DPSS		
DRAWN	CvZyl	03/13/19			
CHECKED			TITLE Rear Bar		
ENG APPR					
MGR APPR			SIZE A4	DWG NO	REV
UNLESS OTHERWISE SPECIFIED DIMENSIONS ARE IN MILLIMETERS ANGLES ±X.X° 2 PL ±X.XX 3 PL ±X.XXX			FILE NAME: GSCR Bezel.dft		
			SCALE:	WEIGHT:	SHEET 4 OF 5



SECTION G-G



	NAME	DATE	CSIR DPSS		
DRAWN	CvZyl	03/13/19			
CHECKED			TITLE Front Frame		
ENG APPR					
MGR APPR			SIZE A4	DWG NO	REV
UNLESS OTHERWISE SPECIFIED DIMENSIONS ARE IN MILLIMETERS ANGLES \pm X.X° 2 PL \pm X.XX 3 PL \pm X.XXX			FILE NAME: GSCR Bezel.dft		
			SCALE:	WEIGHT:	SHEET 5 OF 5