



**Request for Quotation for the supply of 8 x 33mm diameter High Axials and Rolling Moment Sensitivity internal strain gauged components to the CSIR
RFQ 5250-23-06-2017**

Date of issue:	12/06/2017
Closing Date and Time:	23/06/2017
Contact details	For submission of quotations or any other enquiries: tender@csir.co.za Tel no::012 841 2400

1 INVITATION FOR QUOTATION

Quotations are hereby invited for the supply of 8 x 33mm diameter High Axials and Rolling Moment Sensitivity internal strain gauged components to the CSIR.

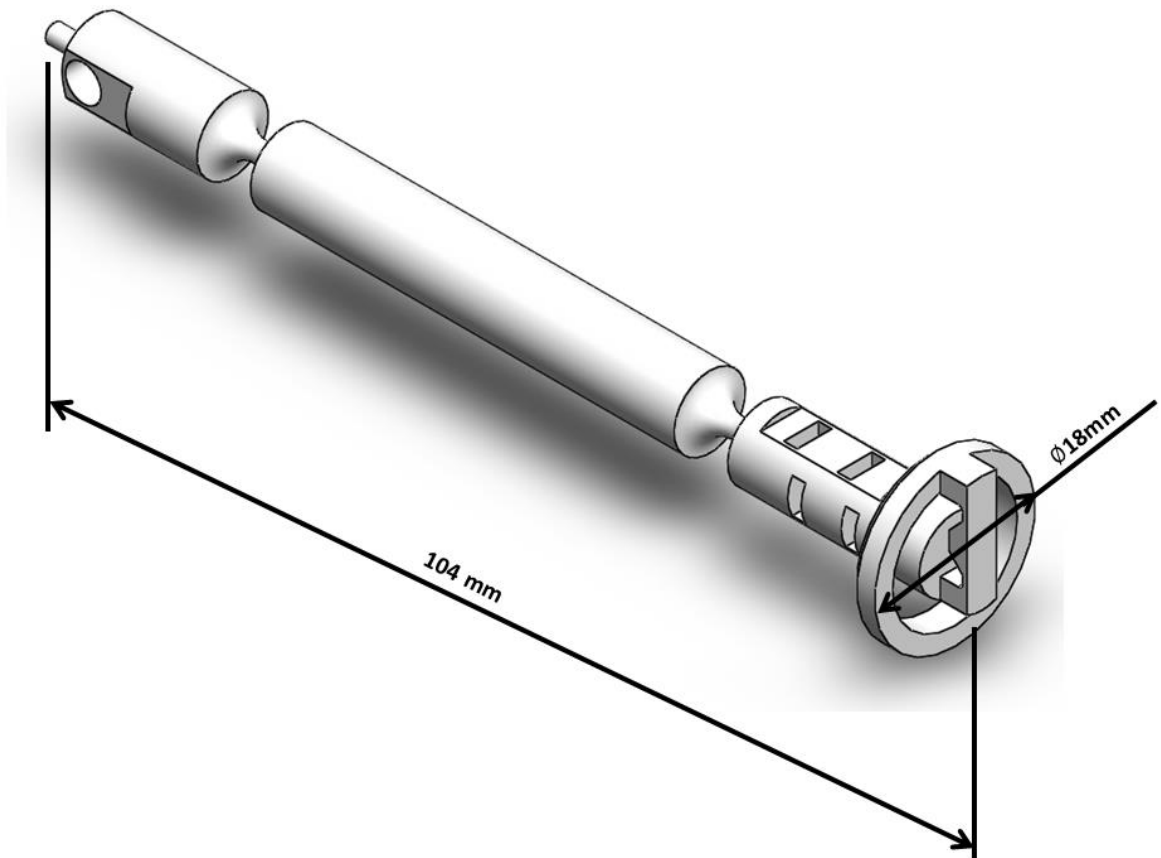
2 QUOTATION REQUIREMENTS

The CSIR requires suppliers to quote on the Manufacture of 33mm High Axial and Rolling Moment Sensitivity internal strain gauged wind tunnel balance components.

Requirements

Machining of 8 x 33mm diameter High Axials and Rolling Moment Sensitivity internal strain gauged wind tunnel balance components.
Component sizes vary between 0.9mm x 10.25mm x 3.9mm and 289mm x diameter 33mm.
All components are to be manufactured from maraging steel.
The need for high dimensional precision and accuracy necessitates machining tolerances of +/- 0.01mm in the finished state at 20°C.

Image below illustrates one of the eight components that are required.



3 EVALUATION CRITERIA

- 3.1 Selection of suppliers will be based on the 80/20 preference point system.
- 3.2 Indicate valid B-BBEE status on quotation. No B-BBEE status will equal zero points.
- 3.3 Indicate CSD number (National Treasury Central Supplier Database) on quotation. If not registered yet on CSD, use www.csd.gov.za to register.
- 3.4 No order will be issued or no contract will be signed without a valid CSD number.

4 PRICING QUOTATION

- 4.1 Price needs to be provided in South African Rand (excl. VAT), with details on price elements that are subject to escalation and exchange rate fluctuations clearly indicated.
- 4.2 Price should include additional cost elements such as freight, insurance until acceptance, duty where applicable, etc.
- 4.3 Payment will be according to the CSIR Payment Terms and Conditions.

5 OTHER TERMS AND CONDITIONS

- 5.1 The supplier shall under no circumstances offer, promise or make any gift, payment, loan, reward, inducement, benefit or other advantage, which may be construed as being made to solicit any favour, to any CSIR employee or its representatives. Such an act shall constitute a material breach of the Agreement and the CSIR shall be entitled to terminate the Agreement forthwith, without prejudice to any of its rights.
- 5.2 A validity period of 90 days will apply to all quotations except where indicated differently on the quote.

6 No goods and/or services should be delivered to the CSIR without an official CSIR Purchase order. CSIR purchase order number must be quoted on the invoice. Invoices without CSIR purchase order numbers will be returned to supplier.

7 Note: This is not a Purchase Order.