



Request for Quotation (RFQ) for provision of services for plastic injection moulds for companies supported by the CSIR

Date of issue:	Wednesday, 01 June 2022
Closing Date and Time:	Wednesday, 15 June 2022 at 16:30
RFQ Number	5841/15/06/2022
Contact details:	<p>For submission of quotations or any other enquiries: Email: tender@csir.co.za (Please use RFQ Number as subject reference) Mail size is limited to 25MB, if the document exceeds this limit please send multiple mails. Cloud submissions will not be accepted</p>

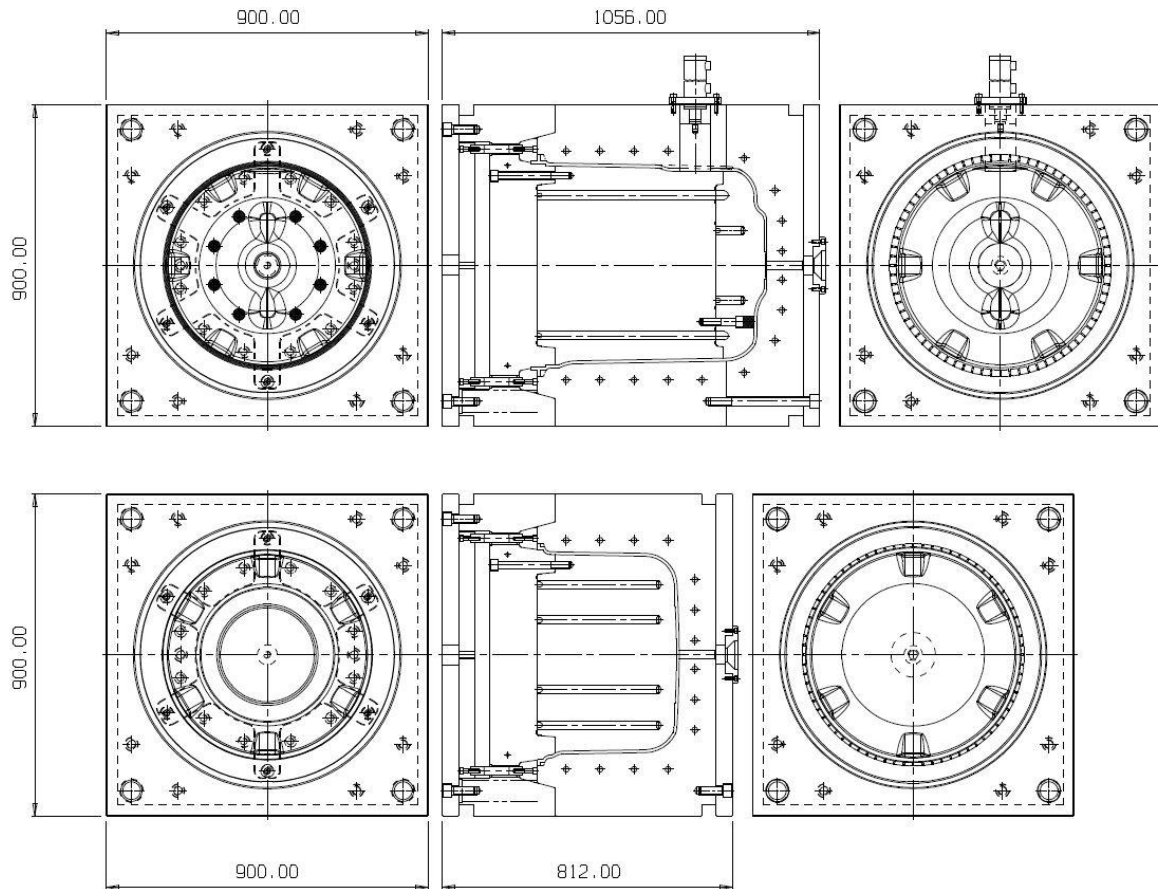
1. INVITATION FOR QUOTATION

Quotations are hereby invited for the manufacturing and supply of a base and a cover plastic injection moulds for water filter.

2. QUOTATION REQUIREMENTS

- Experienced service provider is required to manufacture and supply plastic injection moulds for a plastic water filter bottom and top sections.
- The moulds must be made from 2312 steel and the backing plates from mild steel. The estimated weight of the two moulds is 13500KG.
- The mould for the bottom section is 900x900 mm and the height is 1056 mm. The mould for the top section is 900x900 mm and the height is 812 mm
- Changes to the design drawings are not allowed, the manufacturer must produce according to the approved designs as requested by the client.
- Demonstrate a proven track record of at least 5 successful manufacturing of moulds for manufacturing companies in South Africa.

- Relevant and contactable references in South African manufacturing sector.



3. ELIMINATION CRITERIA

- 3.1 Failure to adhere to the bid specification requirements of the request for quotation.
- 3.2 Submission of quotation after closing date and time
- 3.3 Submission at the incorrect email address
- 3.4 National Treasury Restricted suppliers

4. EVALUATION CRITERIA

- 4.1 Selection of suppliers will be based on the 80/20 preference point system.
- 4.2 Provide valid original or certified copy of the B-BBEE Certificate issued by an accredited verification agency and bearing a SANAS logo; or
 - Valid sworn affidavits made on DTIC designed templates; or
 - DTIC issued sworn affidavit; or
 - CIPC issued B-BBEE certificate.
- 4.3 Indicate CSD number (National Treasury Central Supplier Database) on quotation. If not registered yet on CSD, use www.csd.gov.za to register.
- 4.4 No order will be issued or no contract will be signed without a valid CSD number.

5. PRICING QUOTATION

- 5.1 Price needs to be provided in South African Rand (excl. VAT), with details on price elements that are subject to escalation and exchange rate fluctuations clearly indicated.
- 5.2 Price should include additional cost elements such as freight, insurance until acceptance, duty where applicable, etc.
- 5.3 Payment will be according to the CSIR Payment Terms and Conditions.

6. OTHER TERMS AND CONDITIONS

- 6.1 The supplier shall under no circumstances offer, promise or make any gift, payment, loan, reward, inducement, benefit or other advantage, which may be construed as being made to solicit any favour, to any CSIR employee or its representatives.
- 6.2 Such an act shall constitute a material breach of the Agreement and the CSIR shall be entitled to terminate the Agreement forthwith, without prejudice to any of its rights.
- 6.3 A validity period of 90 days will apply to all quotations except where indicated differently on the quote.

No goods and/or services should be delivered to the CSIR without an official CSIR Purchase order. CSIR purchase order number must be quoted on the invoice..Note: This is not a Purchase Order.

DECLARATION BY TENDERER

Only tenderers who completed the declaration below will be considered for evaluation.

RFQ No:

I hereby undertake to render services described in the attached tendering documents to CSIR in accordance with the requirements and task directives / quotation specifications stipulated in RFQ at the price/s quoted. My offer/s remains binding upon me and open for acceptance by the CSIR during the validity period indicated and calculated from the closing date of the quotation.

I confirm that I am satisfied with regards to the correctness and validity of my quotation; that the price(s) and rate(s) quoted cover all the services specified in the quotation documents; that the price(s) and rate(s) cover all my obligations and I accept that any mistakes regarding price(s) and rate(s) and calculations will be at my own risk.

I accept full responsibility for the proper execution and fulfilment of all obligations and conditions devolving on me under this quotation as the principal liable for the due fulfilment of this quotation.

I declare that I have no participation in any collusive practices with any tenderer or any other person regarding this or any other quotation.

I accept that the CSIR may take appropriate actions, deemed necessary, should there be a conflict of interest or if this declaration proves to be false.

I confirm that I am duly authorised to sign this quotation.

NAME (PRINT)
CAPACITY
SIGNATURE
NAME OF FIRM
DATE

WITNESSES DATE:
--